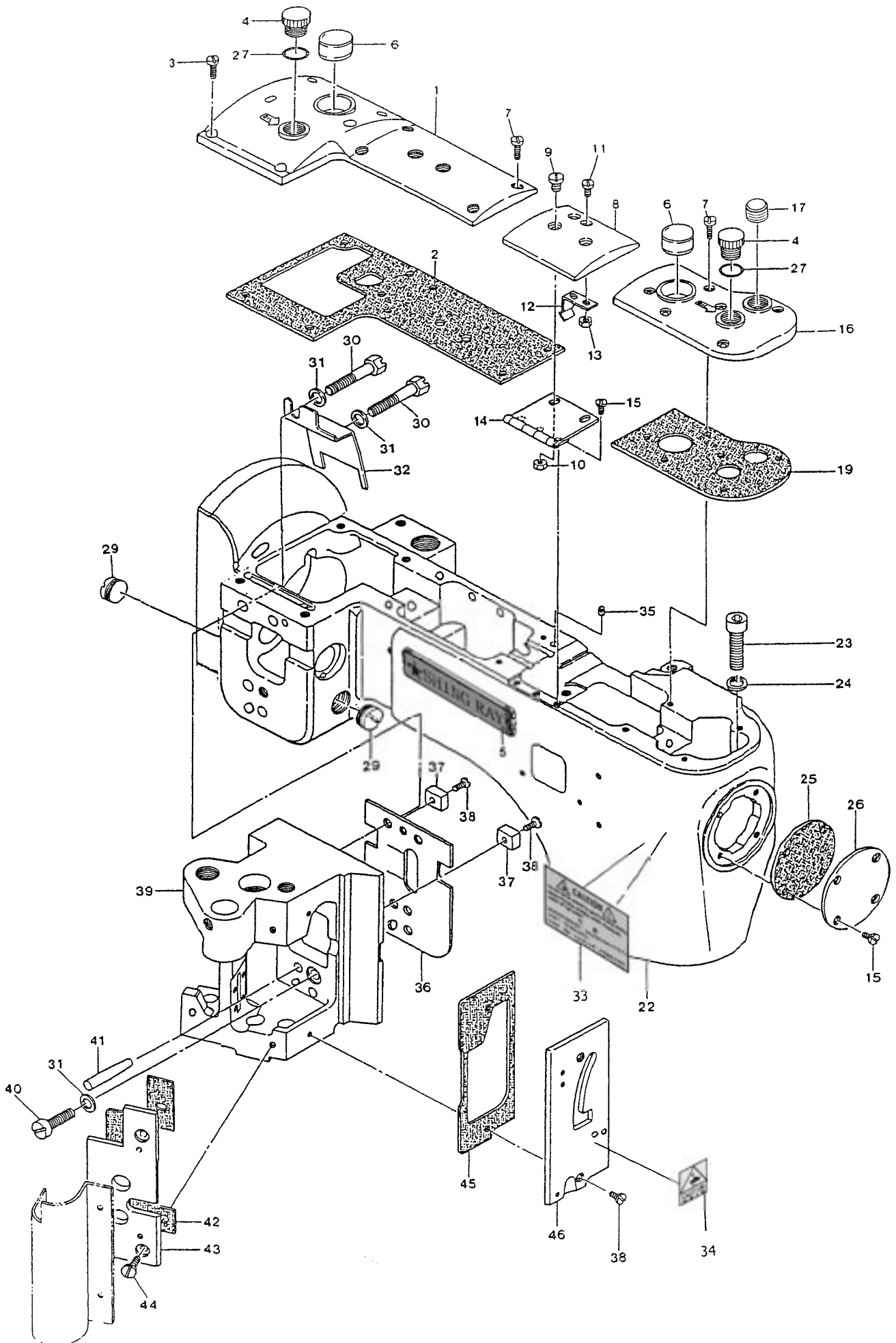


CONTENTS

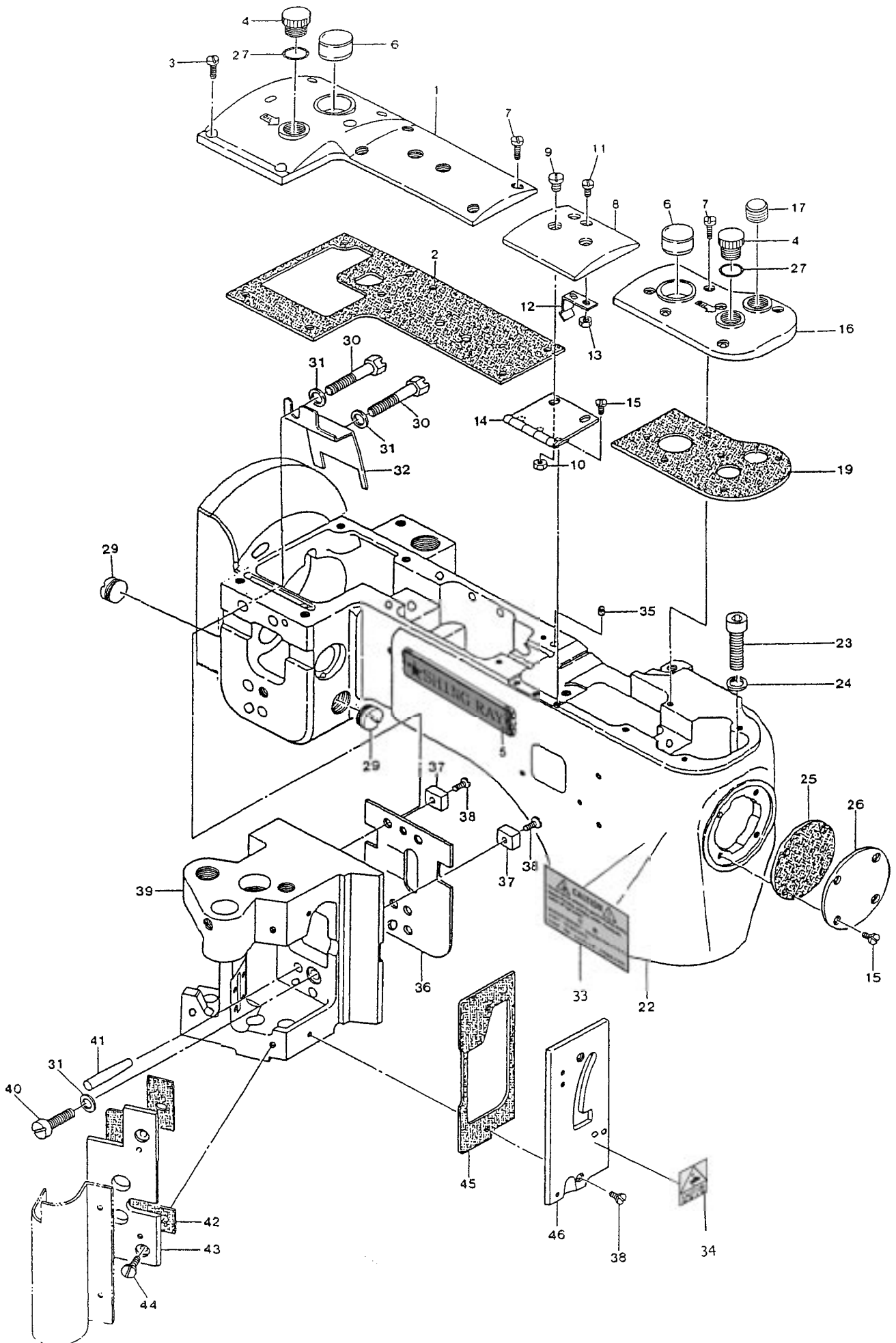
目次

MISCELLANEOUS COVERS(1).....	機殼機構(1).....	1
MISCELLANEOUS COVERS(2).....	機殼機構(2).....	2
MISCELLANEOUS THREAD EYELETS.....	過線機構.....	3
MISCELLANEOUS BUSHINGS.....	套管機構.....	4
CRANKSHAFT & NEEDLE BAR DRIVING MECHANISM.....	主軸及針棒機構.....	5
PRESSER FOOT MECHANISM.....	押腳驅動機構.....	6
FEED ROLLER MECHANISM(1).....	進料器滾輪機構(1).....	7
FEED ROLLER MECHANISM(2).....	進料器滾輪機構(2).....	8
LOOPER DRIVING MECHANISM.....	下勾針驅動機構.....	9
FEED DRIVING MECHANISM.....	送料具驅動機構.....	10
FEED DRIVING CONTROL MECHANISM.....	下勾針調節機構.....	11
LUBRICATING MECHANISM.....	給油機構.....	12
TAP REEL.....	貼條組.....	13
DEIRCTLY DRIVING TYPE MINI-SERVO MOTOR C.SET.....	伺服馬達機構.....	14
TABLE.....	桌板圖.....	15
SUPPORTING BLOCK MECHANISM.....	車台固定座機構.....	16
THREAD STAND.....	線架組.....	17
ATTACHMENT BOX.....	附件盒.....	18
ACCESSORIES.....	附件箱.....	19



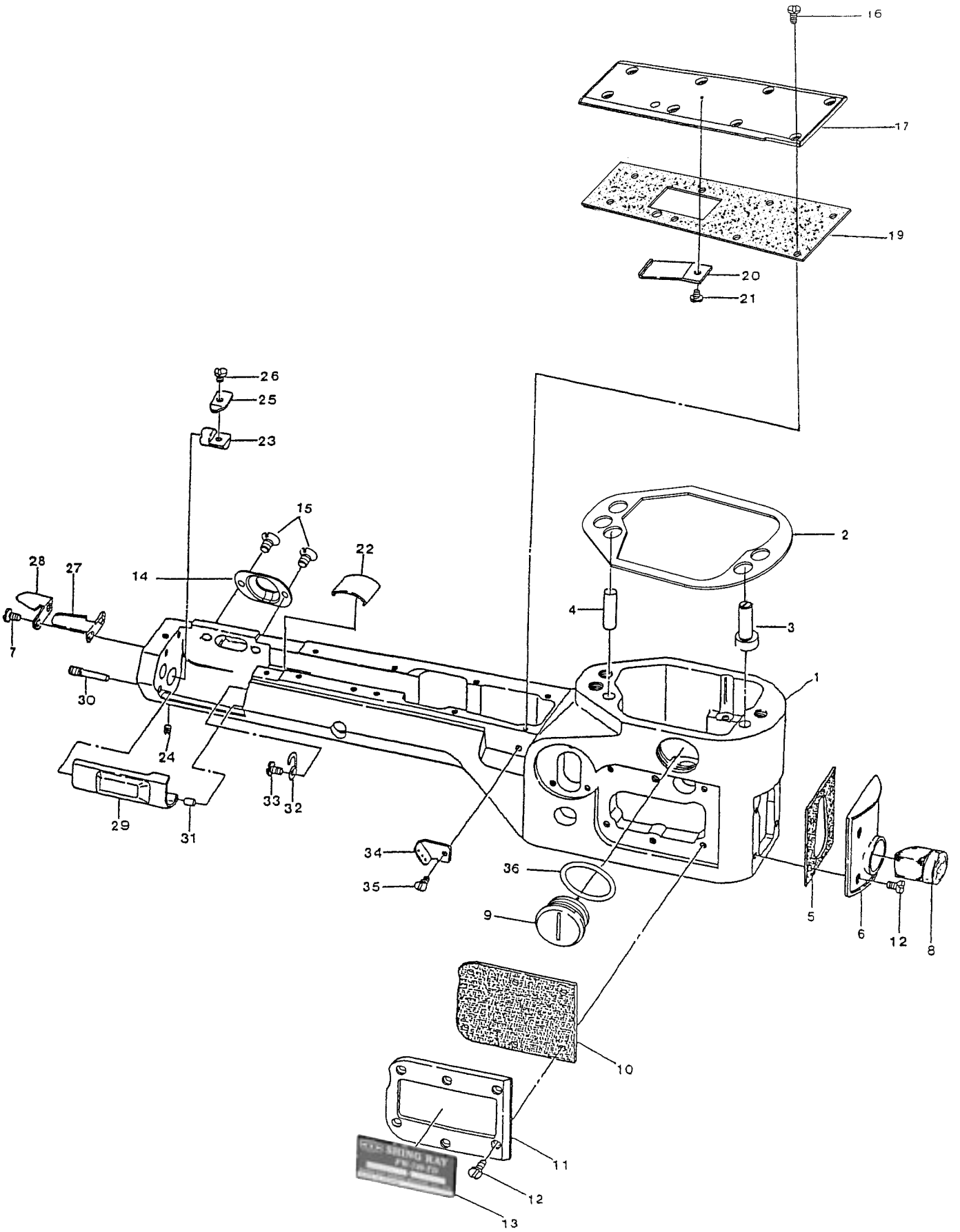
MISCELLANEOUS COVERS(1)機殼機構(1)

Ref.	Parts			1
<u>No.</u>	<u>No.</u>	<u>Description</u>	<u>品 名</u>	<u>Req.</u>
1	07410101	Crank Chamber Cover.....	曲軸室上蓋.....	1
2	07400102	Crank Chamber Cover Gasket.....	曲軸室墊片.....	1
3	07400103	Screw(11/64-40X10.5).....	螺絲.....	4
4	07400104	Screw(M12-1.75X9).....	螺絲.....	2
5	07400151	Emblem.....	銘牌.....	1
6	07400106	Oil Sight Top Window.....	上油鏡.....	2
7	07400107	Screw (9/64-40X10.8).....	螺絲.....	8
8	07400108	Top Cover (Middle).....	上蓋(中).....	1
9	07400109	Screw (11/64-40X6.5).....	螺絲.....	2
10	07400110	Nut.....	螺帽.....	2
11	07400111	Screw (9/64-40X5.6).....	螺絲.....	2
12	07400112	Top Cover (Middle) Spring.....	上蓋(中)彈簧.....	1
13	07400113	Nut.....	螺帽.....	2
14	07400114	Top Cover (Middle) Hinge.....	上翻蓋.....	1
15	07400115	Screw (9/64-40X6).....	螺絲.....	7
16	07400116	Top Cover (Front).....	上蓋(前).....	1
17	07400117	Plug Screw (M12-1.75X7).....	止油螺絲.....	1
19	07400118	Top Cover (Front) Gasket.....	上蓋墊片(前).....	1
22	07400119	Machine Frame.....	機殼.....	1
23	07400120	Screw (5/16-24X32).....	螺絲.....	3
24	07400121	Washer.....	墊片.....	3
25	07400122	Machine Frame End Cover Gasket.....	防油墊片.....	1
26	07400123	Machine Frame End Cover.....	前方圓蓋.....	1
27	07400124	O-Ring.....	O型橡膠環.....	3
28	07400125	Screw (3/8-24X8).....	螺絲.....	1
29	07400126	Plug Screw (M14-1X4).....	螺絲.....	2
30	07400127	Screw (1/4-28X32.5).....	螺絲.....	2
31	07400128	Washer.....	墊片.....	3
32	07400129	Crank Chamber Cover Oil Shield.....	上座防油擋板.....	1
33	07400165	Warning Sticker.....	警告貼紙.....	1
34	07400166	Warning Sticker.....	警告貼紙.....	1
35	07400149	Oil Seal Plug.....	止油塞.....	1
36	07400130	Sewing Head Oil Defense.....	車台結合防油擋板.....	1
37	07400131	Sewing Head Key.....	車台四角固定銷.....	2
38	07400132	Screw (9/64-40X8).....	螺絲.....	2
39	07410139	Sewing Head.....	車頭.....	1
40	07400134	Screw (1/4-28X20).....	螺絲.....	1
41	07400135	Pin.....	插銷.....	1
42	07410142	Sewing Head Cover(Left) Gasket.....	車頭蓋(左)墊片.....	1
43	07410143	Sewing Head Cover(Left).....	車頭蓋(左).....	1



MISCELLANEOUS COVERS(1)機殼機構(1)

<u>Ref.</u>	<u>Parts</u>			<u>1</u>
<u>No.</u>	<u>No.</u>	<u>Description</u>	<u>品 名</u>	<u>Amt.</u>
				<u>Req.</u>
44	07410144	Screw (11/64-40X10).....	螺絲.....	3
45	07410145	Sewing Head Cover(Front) Gasket.....	車頭前蓋墊片.....	1
46	07420146	Sewing Head Cover(Front).....	車頭前蓋.....	1

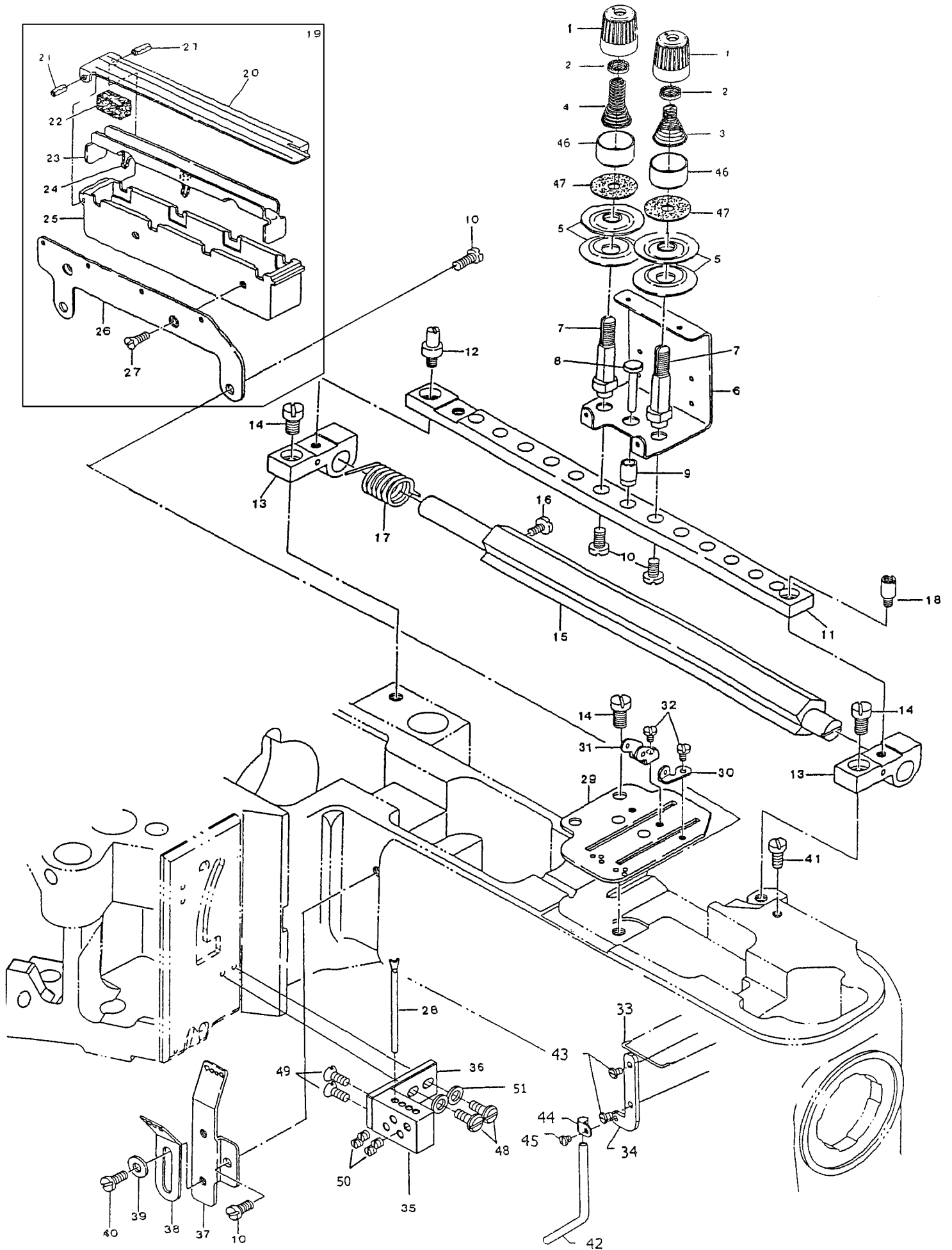


MISCELLANEOUS COVERS(2)

機殼機構(2)

2

Ref.	Parts			Amt.
<u>No.</u>	<u>No.</u>	<u>Description</u>	<u>品 名</u>	<u>Req.</u>
1	07420201	Cylinder Frame.....	圓筒部機殼.....	1
2	07400202	Sewing Head Oil Defense.....	防油擋板.....	1
3	07400203	Knock Pin.....	頂出銷.....	1
4	07400204	Knock Pin.....	頂出銷.....	1
5	07400206	Seal Gasket.....	止油墊片.....	1
6	07400207	Cylinder Frame Cover (Front).....	前蓋.....	1
7	07400218	Screw (1/8-44X8).....	螺絲.....	2
8	07400209	Oil Gauge.....	油錶.....	1
9	07400210	Screw (M22-1.5X4.5).....	螺絲.....	1
10	07400211	Seal Gasket.....	止油墊片.....	1
11	07400212	Cylinder Frame Cover (Left).....	左蓋.....	1
12	07400208	Screw (9/64-40X8).....	螺絲.....	10
13	07420213	Model Plate.....	型號銘牌.....	1
14	07420214	Looper Cover.....	下飾線勾針蓋板.....	1
15	07870232	Screw (M3-0.5X6).....	螺絲.....	2
16	07410216	Screw (9/64-40X6.5).....	螺絲.....	8
17	07420217	Cylinder Cover (Upper).....	上蓋.....	1
19	07410219	Seal Gasket.....	止油墊片.....	1
20	07400220	Dust Defender (Upper).....	防塵蓋(上).....	1
21	07410221	Screw (11/28-56X1.5).....	螺絲.....	1
22	07400222	Dust Defender (Lower).....	防塵蓋(下).....	1
23	07400224	Looper Cover Spring Support.....	彈簧片座.....	1
24	07410224	Screw (9/64-40X9).....	螺絲.....	1
25	07410225	Looper Cover Spring.....	下勾針蓋彈簧片.....	1
26	07400227	Screw (9/64-40X5).....	螺絲.....	1
27	07410227	Chain-off Cutting Knife.....	割線刀.....	1
28	07410228	Chain-off Cutting Knife Guard.....	割線刀擋.....	1
29	07420229	Looper Cover.....	下勾針蓋.....	1
30	07400230	Screw (9/64-40X5.7).....	螺絲.....	1
31	07400229	Pin.....	插銷.....	1
32	07400235	Looper Thread Guide Wire.....	過線圈.....	1
33	07400236	Screw (9/64-40X10).....	螺絲.....	1
34	07410234	Looper Thread Eyelet.....	過線孔.....	1
35	07410235	Screw (9/64-40X5.5).....	螺絲.....	1
36	07400237	O-Ring.....	O型橡膠環.....	1

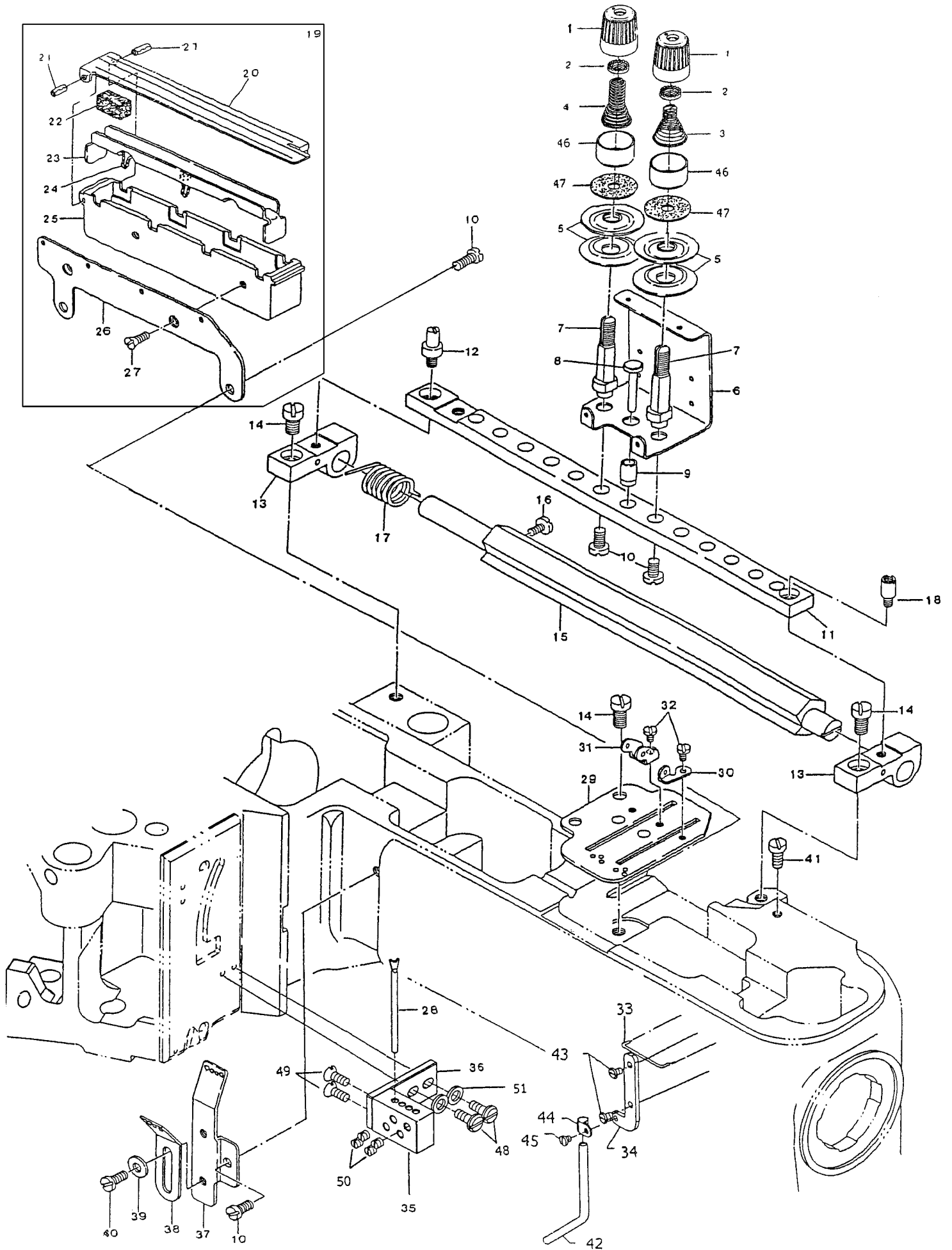


MISCELLANEOUS THREAD EYELETS

過線機構

3

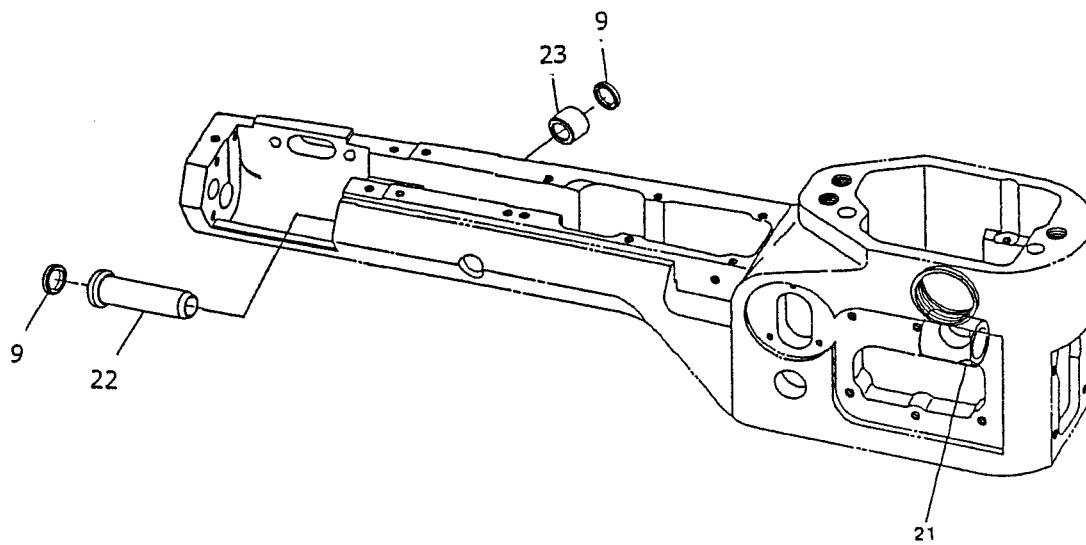
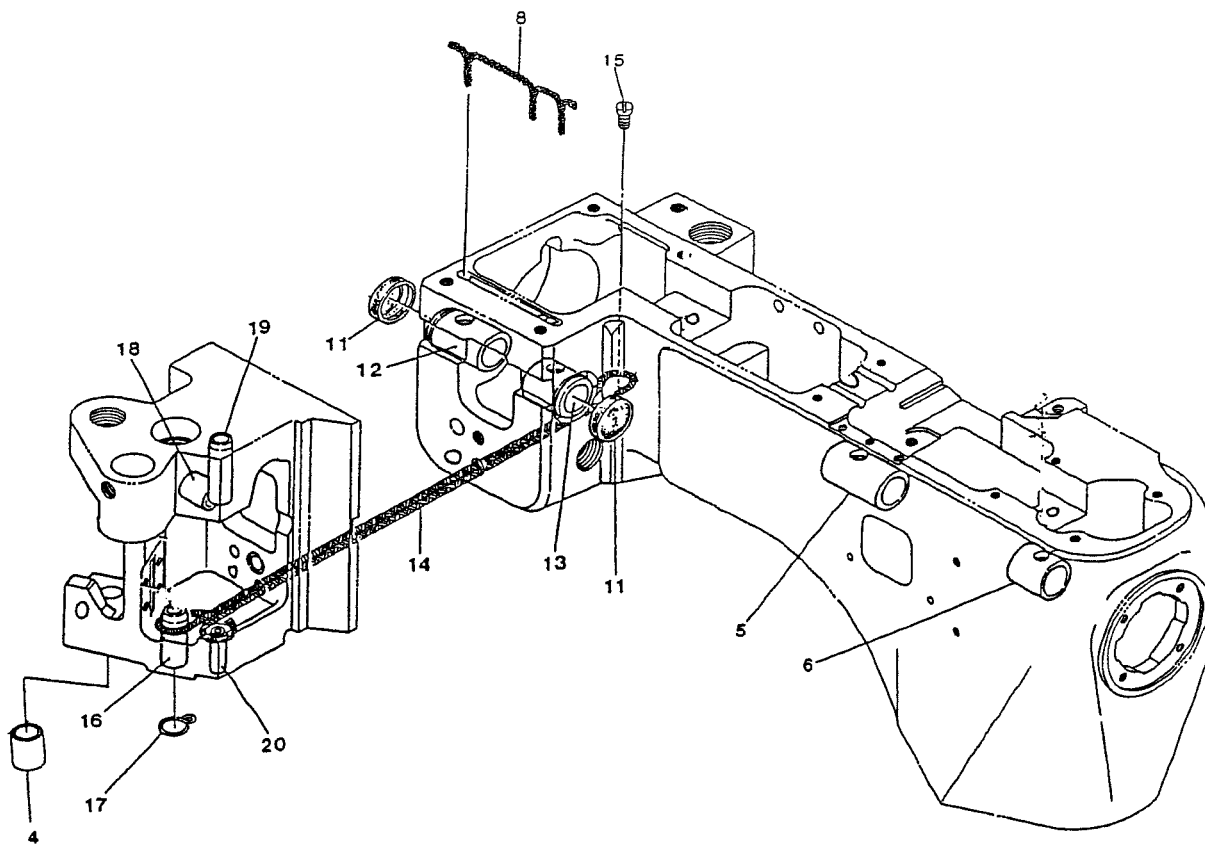
Ref.	Parts			Amt.
<u>No.</u>	<u>No.</u>	<u>Description</u>	<u>品 名</u>	<u>Req.</u>
1	07400317	Spring Cap.....	彈簧調整鈕.....	6
2	07400318	Tension Spring Disc Support.....	張力彈簧調整圓盤.....	6
3	07870305	Top Cover Thread Tension Spring.....	上飾線張力彈簧.....	3
4	07410304	Needle Thread Tension Spring.....	針線張力彈簧.....	3
5	07400323	Thread Tension Disc.....	張力調整盤.....	12
6	07400324	Thread Tension Disc Eyelet.....	張力調整過線架.....	3
7	07400325	Tension Post.....	張力彈簧支柱.....	6
8	07400326	Tension Release Pin.....	張力釋放插銷.....	7
9	07400322	Tension Release Pin Bushing.....	張力釋放插銷套管.....	7
10	07400302	Screw (11/64-40X7.8).....	螺絲.....	9
11	07400311	Thread Tension Support.....	上線張力固定座.....	1
12	07410312	Screw (11/64-40X7).....	螺絲.....	1
13	07400312	Thread Tension Support Bracket.....	上線張力固定座支架.....	2
14	07400313	Screw (7/32-32X9.5).....	螺絲.....	4
15	07400316	Tension Release Shaft.....	張力釋放軸.....	1
16	07400364	Screw (1/8-44X6.4).....	螺絲.....	1
17	07400315	Tension Release Shaft Spring.....	張力釋放軸彈簧.....	1
18	07400310	Screw (11/64-40X7).....	螺絲.....	1
19	07400327	SP Device , Complete C. Set.....	針線矽油組.....	1
20	07400328	Oil Cup Lip.....	矽油儲存槽蓋.....	1
21	07400329	Hinge Pin.....	鉸鏈插銷.....	2
22	07400330	SP Felt.....	SP吸油氈.....	3
23	07400331	SP Felt Stay.....	SP吸油氈支柱.....	1
24	07400332	Oil Wick.....	油芯.....	1
25	07400333	SP Container.....	矽油儲存槽.....	1
26	07400334	SP Container Support.....	矽油儲存槽固定座.....	1
27	07410335	Screw (9/64-40X4.6).....	螺絲.....	2
28	07420328	Needle Thread Eyelet.....	針線過線棒.....	4
29	07410329	Eyelet Supporting Plate.....	提線桿固定板.....	1
30	07410330	Looper Thread Take-up Eyelet(Front).....	下勾針提線桿.....	1
31	07410331	Looper Thread Take-up Eyelet(Rear).....	下勾針提線桿.....	1
32	07400631	Screw (1/8-44X3.5).....	螺絲.....	2
33	07400347	Looper Thread Guide Wire.....	下勾針線導架金屬線.....	1
34	07410334	Looper Thread Guard.....	下勾針線導架.....	1
35	07420335	Needle Thread Eyelet Holder.....	針線過線棒座.....	1
36	07420336	Needle Thread Eyelet Holder Bracket.....	針線過線棒固定架.....	1
37	07420337	Needle Thread Eyelet (Right).....	針線過線板.....	1
38	07420338	Needle Thread Eyelet (Left).....	針線過線板.....	1
39	07410339	Washer.....	墊片.....	1
40	07400109	Screw (11/64-40X6.5).....	螺絲.....	1



MISCELLANEOUS THREAD EYELETS過線機構

3

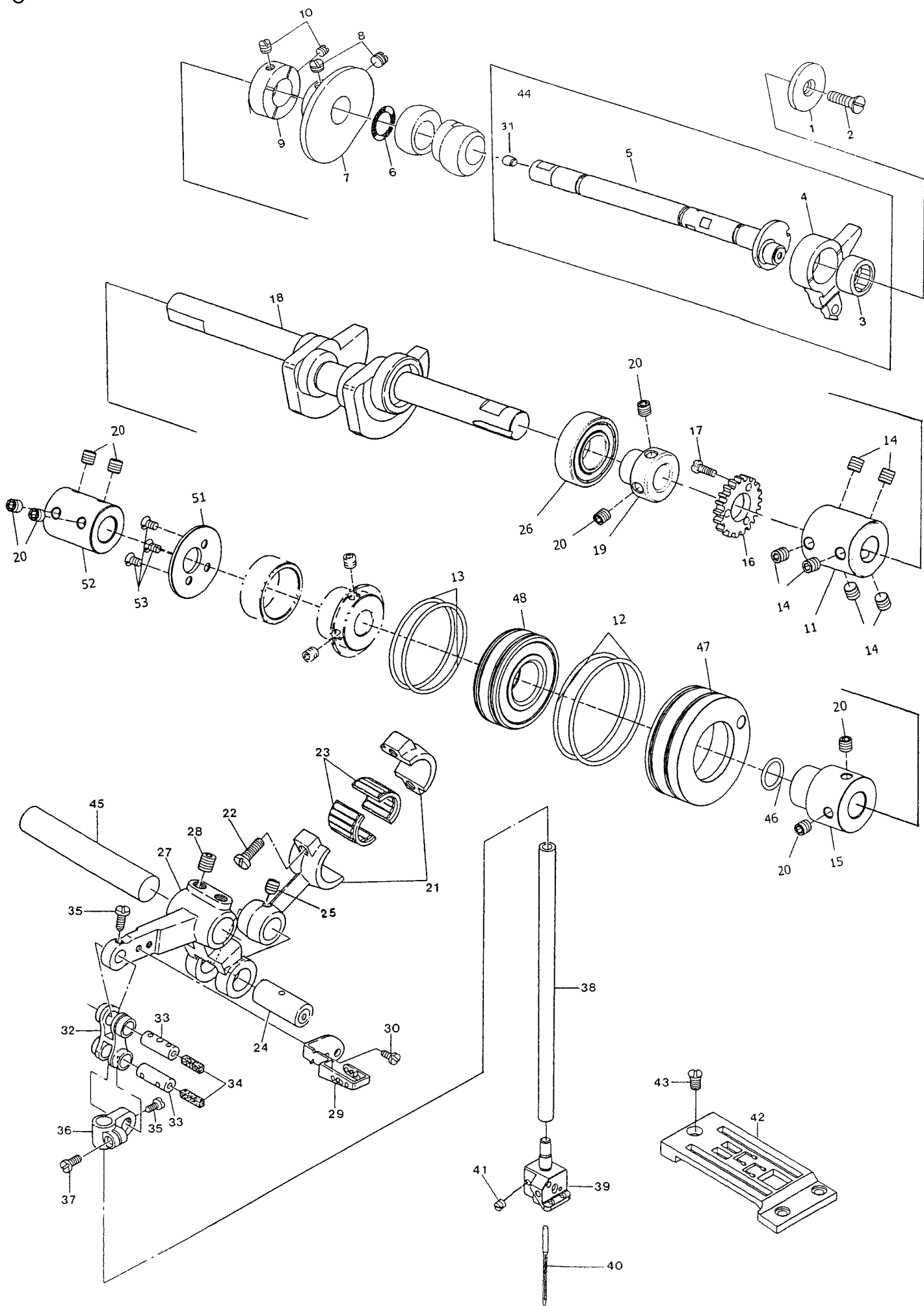
<u>Ref.</u>	<u>Parts</u>			<u>Amt.</u>
<u>No.</u>	<u>No.</u>	<u>Description</u>	<u>品 名</u>	<u>Req.</u>
41	07410341	Screw (11/64-40X7.5).....	螺絲.....	1
42	07410342	Tube,for differential feed.....	差動送料管.....	1
43	07410343	Screw (11/64-40X6).....	螺絲.....	2
44	07410344	Clamp,tube.....	送料管夾板.....	1
45	07410345	Screw (11/64-40X5).....	螺絲.....	1
46	07870306	Spring Retainer.....	彈簧固定座.....	6
47	07870307	Felt.....	氈墊.....	6
48	07400218	Screw (1/8-44X8).....	螺絲.....	2
49	07870232	Screw (M3-0.5X6).....	螺絲.....	2
50	07870319	Screw (1/8-44X3).....	螺絲.....	4
51	07420351	Washer.....	墊片.....	2



MISCELLANEOUS BUSHINGS套管機構

4

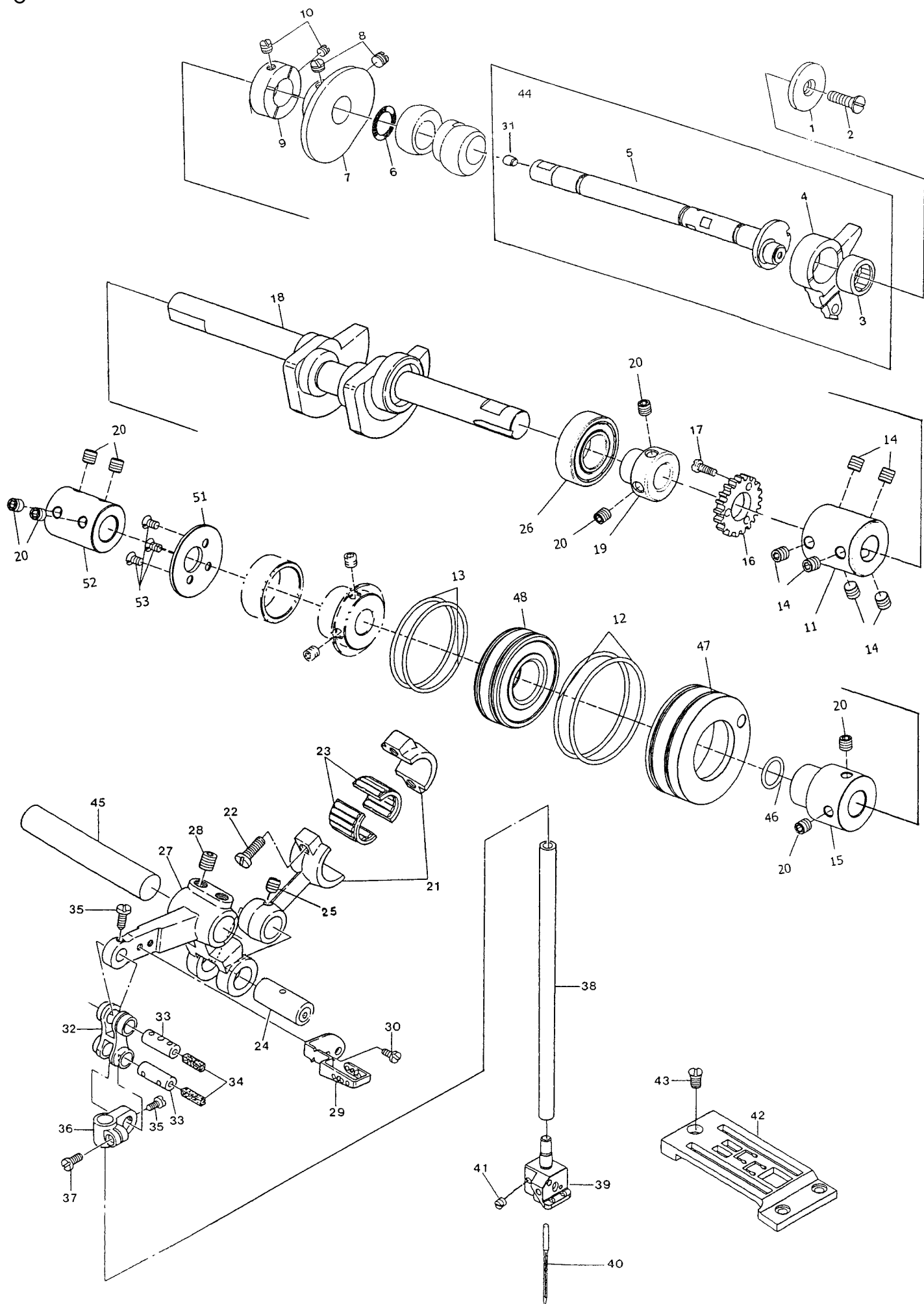
<u>Ref.</u>	<u>Parts</u>			<u>Amt.</u>
<u>No.</u>	<u>No.</u>	<u>Description</u>	<u>品 名</u>	<u>Req.</u>
4	07410404	Bushing.....	套管.....	1
5	07410405	Main Shaft Bushing (Rear).....	主軸套管(後).....	1
6	07400406	Main Shaft Bushing (Front).....	主軸套管(前).....	1
8	07400408	Oil Wick (Laced Wire).....	油芯.....	1
9	07400425	Oil Seal.....	油封.....	2
11	07410411	Bushing Cap.....	套管蓋.....	2
12	07410412	Knife Driving Lever Bushing (Rear).....	傳動刀軸銅套(後).....	1
13	07410413	Knife Driving Lever Bushing (Front).....	傳動刀軸銅套(前).....	1
14	07400413	Oil Wick.....	油芯.....	1
15	07400302	Screw (11/64-40X7.8).....	螺絲.....	1
16	07410416	Presser Bar Bushing.....	押腳套管.....	1
17	07410417	Oil Wick Hook.....	油芯勾.....	1
18	07410418	Presser Bar Lifter Lever Bushing.....	抬押腳槓桿套筒.....	1
19	07410419	Needle Bar Bushing(Upper).....	針柱套管(上).....	1
20	07410420	Needle Bar Bushing(Lower).....	針柱套管(下).....	1
21	07400421	Looper Rocker Shaft Bushing (Front).....	下勾針搖桿軸套管(前)....	1
22	07400422	Looper Rocker Shaft Bushing (Rear).....	下勾針搖桿軸套管(後)....	1
23	07400423	Feed Bar Eccentric Pin Bushing.....	送料具偏心銷套管.....	1



CRANKSHAFT & NEEDLE BAR DRIVING MECHANISM主軸及針棒機構

5

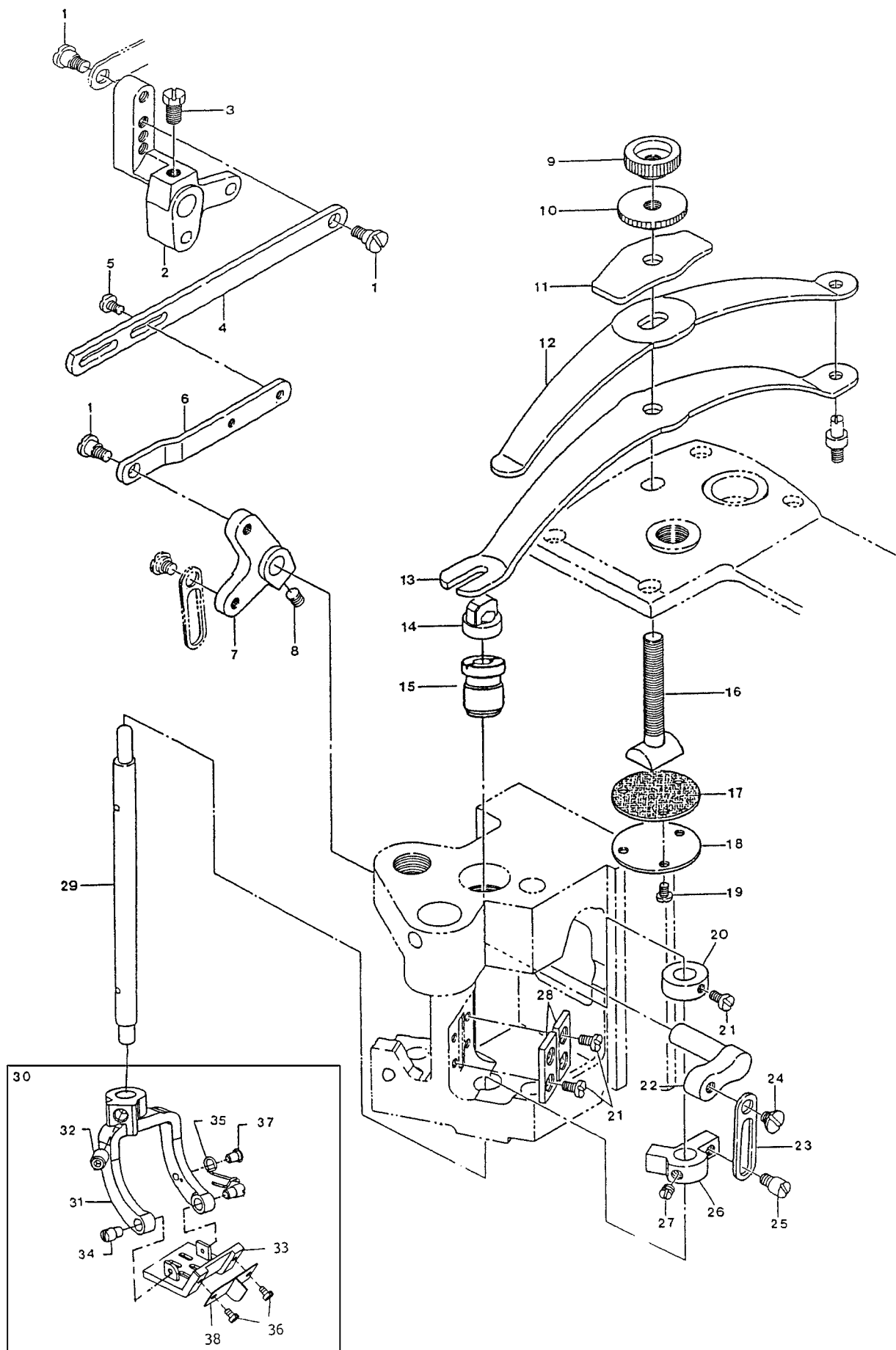
Ref.	Parts			Amt.
<u>No.</u>	<u>No.</u>	<u>Description</u>	<u>品 名</u>	<u>Req.</u>
1	07410501	Looper Driving Rod (Upper) Plate.....	下勾針驅動連桿板.....	1
2	07410502	Screw (11/64-40X8.5).....	螺絲.....	1
3	07410503	Needle Bearing.....	滾針軸承.....	1
4	07410504	Looper Driving Rod (Upper).....	下勾針驅動連桿.....	1
5	07420505	Main Shaft.....	主軸.....	1
6	07400502	O-ring.....	O型橡膠環.....	1
7	07410507	Looper Thread Take-Up.....	底線提線凸輪.....	1
8	07400505	Screw (7/32-32X3.6).....	螺絲.....	2
9	07400507	Collar.....	軸環.....	1
10	07400508	Screw (11/64-40X6).....	螺絲.....	2
11	07400509	Front and Rear Connecting Sleeve.....	前後軸連接襯套.....	1
12	07400548	O-ring.....	O型橡膠環.....	2
13	07400549	O-ring.....	O型橡膠環.....	2
14	07400513	Screw (1/4-28X6.3).....	螺絲.....	6
15	07410511	Collar.....	固定軸環.....	1
16	07400514	Pump Driving Gear.....	油泵驅動齒輪.....	1
17	07400515	Screw (1/8-44X6).....	螺絲.....	3
18	07410518	Crankshaft.....	曲軸.....	1
19	07400511	Collar.....	固定軸環.....	1
20	07400510	Screw (M6-1X6).....	螺絲.....	8
21	07400523	Needle Bar Lever Connecting Rod.....	針柱槓桿連桿.....	1
22	07400524	Screw (3/16-32X14).....	螺絲.....	2
23	07400525	Needle Bearing.....	滾針軸承.....	1
24	07400526	Needle Bar Lever Connecting Rod Pin....	針柱槓桿連桿插銷.....	1
25	07400528	Screw (7/32-32X4.5).....	螺絲.....	1
26	07400551	Ball Bearing.....	滾珠軸承.....	1
27	07410527	Needle Bar Lever.....	針柱槓桿.....	1
28	07400530	Screw (M5-0.8X5).....	螺絲.....	2
29	07420529	Needle Bar Lever Thread Eyelet.....	針柱槓桿過線孔.....	1
30	07410530	Screw (1/8-44X4.4).....	螺絲.....	2
31	07410531	Seal Plug.....	止油塞.....	1
32	07400533	Needle Bar Connecting Link.....	針柱連桿.....	1
33	07400534	Needle Bar Connecting Link Pin.....	針柱連桿插銷.....	2
34	07400535	Oil Wick.....	吸油繩.....	2
35	07410535	Screw (0.146-40X5.2).....	螺絲.....	2
36	07410536	Needle Bar Connecting Bracket.....	針柱連結架.....	1
37	07410537	Screw (11/64-40X8.5).....	螺絲.....	1
38	07410538	Needle Bar.....	針柱.....	1
39	07420539	Needle Clamp.....	針鉤.....	1
40	07420540	Needle (UY128 #18)	擊針.....	4



CRANKSHAFT & NEEDLE BAR DRIVING MECHANISM主軸及針棒機構

5

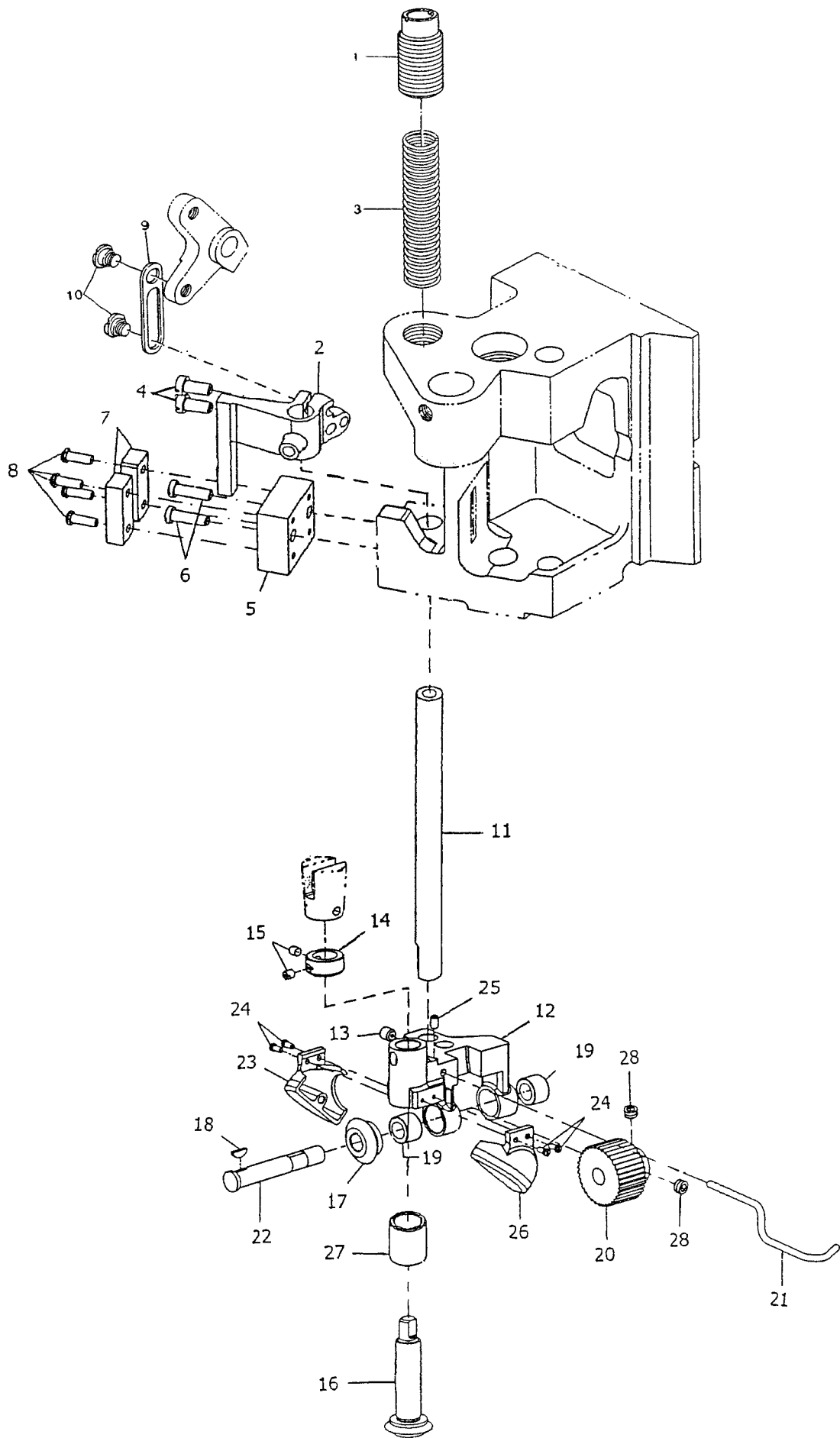
<u>Ref.</u>	<u>Parts</u>			<u>Amt.</u>
<u>No.</u>	<u>No.</u>	<u>Description</u>	<u>品 名</u>	<u>Req.</u>
41	07870319	Screw (1/8-44X3).....	螺絲.....	4
42	07420542	Stitch Plate.....	針板.....	1
43	07410543	Screw (9/64-40X8).....	螺絲.....	3
44	07420544	Main Shaft C.Set.....	主軸組.....	1
45	07410545	Needle Bar Lever Shaft.....	針柱槓桿軸.....	1
46	07400502	O-Ring.....	O型橡膠環.....	1
47	07410547	Bearing Sleeve.....	培林襯套.....	1
48	07400550	Ball Bearing.....	滾珠軸承.....	1
51	07410551	Needle Bearing Retaining Plate.....	滾針軸承扣板.....	1
52	07410552	Motor Connecting Rod Sleeve.....	馬達連接襯套.....	1
53	07870333	Screw (9/64-40X7).....	螺絲.....	3



PRESSER FOOT MECHANISM押腳驅動機構

6

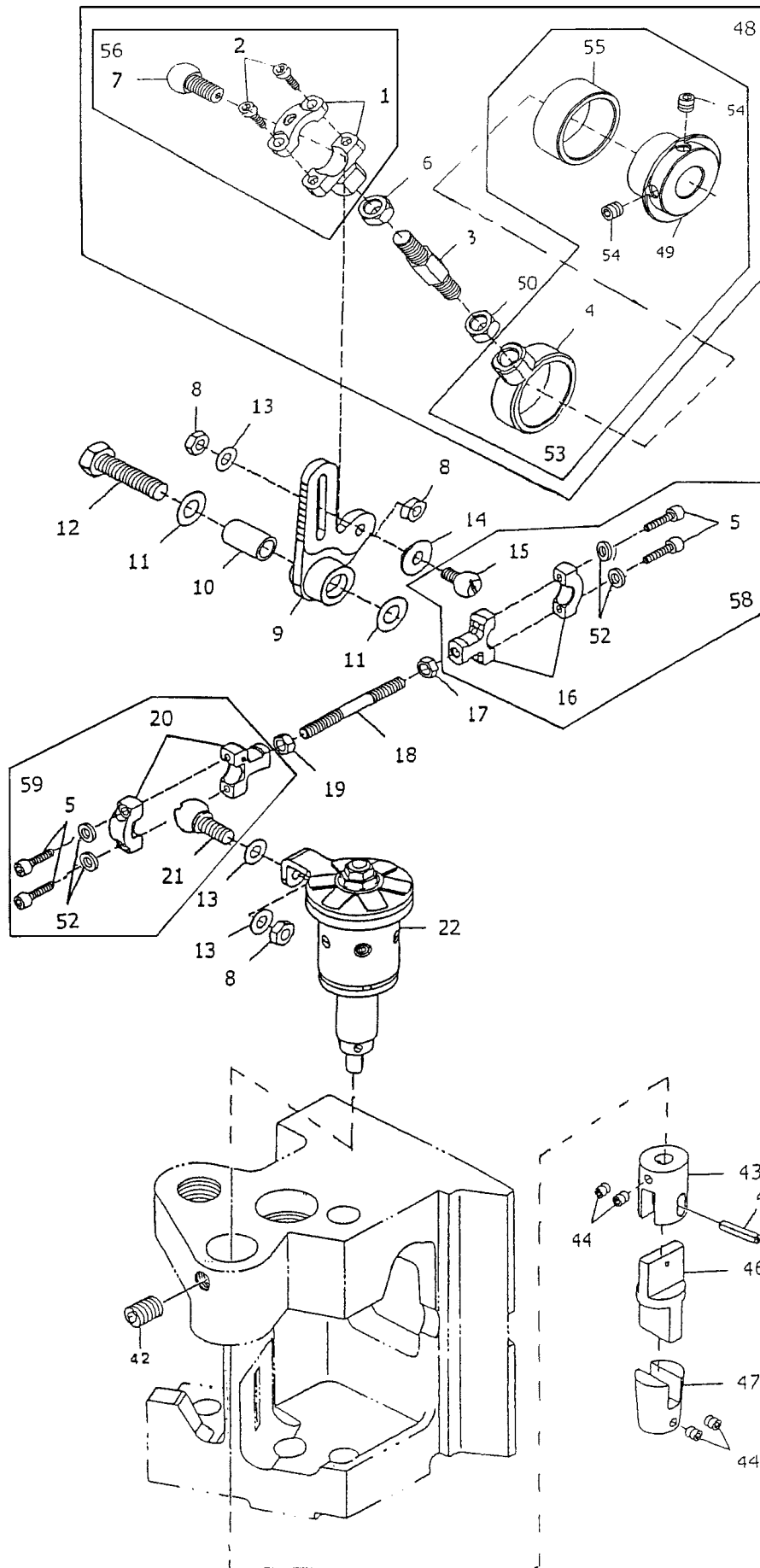
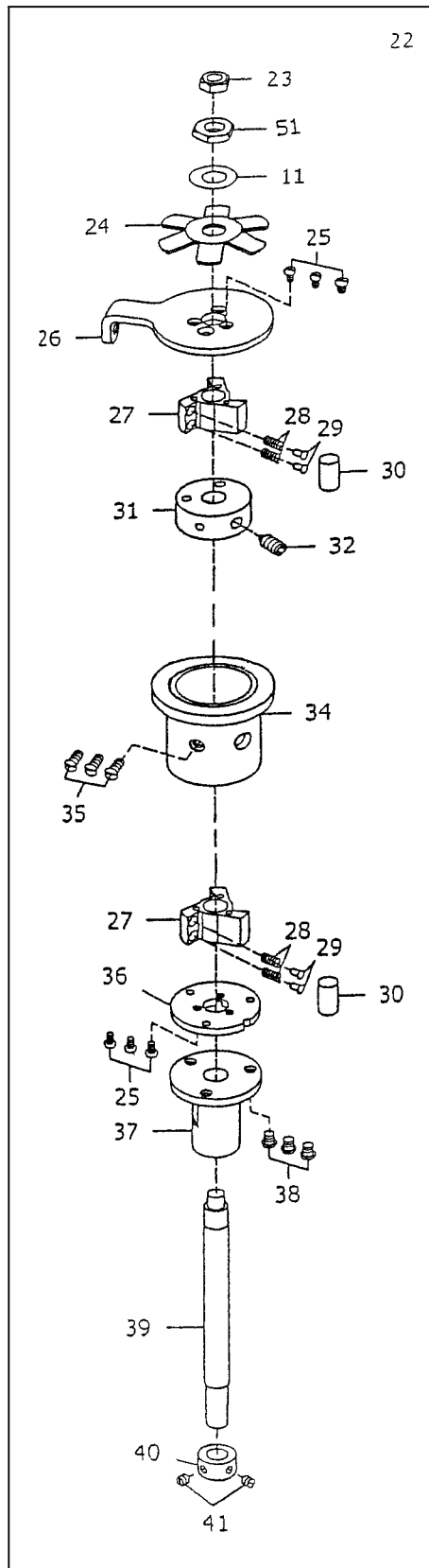
Ref.	Parts			Amt.
<u>No.</u>	<u>No.</u>	<u>Description</u>	<u>品 名</u>	<u>Req.</u>
1	07400702	Screw (3/16-32X4).....	螺絲.....	3
2	07400703	Presser Bar Lifter Lever.....	押腳升降槓桿.....	1
3	07400704	Screw (7/32-32X12).....	螺絲.....	1
4	07400710	Presser Foot Lifter Lever Link (Long).....	押腳升降槓桿連桿(長).....	1
5	07400711	Screw (9/64-40X6.1).....	螺絲.....	2
6	07400712	O-ring.....	O型橡膠環.....	1
7	07410607	Presser Bar Lifter Lever(Left).....	押腳升降槓桿(左).....	1
8	07400714	Screw (7/32-32X6).....	螺絲.....	1
9	07410609	Adjusting Nut.....	調整螺帽.....	1
10	07410610	Lock Nut.....	保險螺帽.....	1
11	07410611	Presser Spring (Upper).....	押腳彈簧(上).....	1
12	07410612	Presser Spring (Middle).....	押腳彈簧(中).....	1
13	07410613	Presser Spring (Lower).....	押腳彈簧(下).....	1
14	07410614	Press Spring Plate Holder.....	押腳彈簧片固定座.....	1
15	07410615	Presser Bar Bushing(Upper).....	押腳套筒.....	1
16	07410616	Presser Spring Regulating Screw.....	押腳彈簧調節螺絲.....	1
17	07410617	Cover Plate Gasket.....	蓋板墊片.....	1
18	07410618	Cover Plate.....	蓋板.....	1
19	07400218	Screw (1/8-44X8).....	螺絲.....	3
20	07410620	Collar.....	固定軸環.....	1
21	07410621	Screw (9/64-40X5.5).....	螺絲.....	5
22	07410622	Presser Bar Lifter Lever.....	押腳升降槓桿.....	1
23	07410623	Presser Bar Connecting Link.....	押腳連桿.....	1
24	07410624	Screw (3/16-32X2.2).....	螺絲.....	1
25	07410625	Screw (3/16-32X5).....	螺絲.....	1
26	07410626	Presser Bar Connecting Bracket.....	押腳推桿連結架.....	1
27	07410627	Screw (11/64-40X4).....	螺絲.....	1
28	07410628	Presser Bar Guide Plate.....	押腳導件板.....	2
29	07410629	Presser Bar.....	押腳推桿.....	1
30	07410630	Presser Foot C.Set.....	押腳組.....	1
31	07410631	Presser Foot(Upper).....	押腳(上).....	1
32	07410632	Screw (0.191-28X7).....	螺絲.....	1
33	07410633	Presser Foot(Lower).....	押腳(下).....	1
34	07410634	Screw (0.124-50).....	螺絲.....	2
35	07410635	Presser Foot Spring.....	押腳彈簧.....	1
36	07873211	Screw (3/32-56X4).....	螺絲.....	2
37	07410637	Screw (0.110-50).....	螺絲.....	1
38	07420638	Presser Foot Tongue.....	導布板.....	1



FEED ROLLER MECHANISM(1)進料器滾輪機構(1)

7

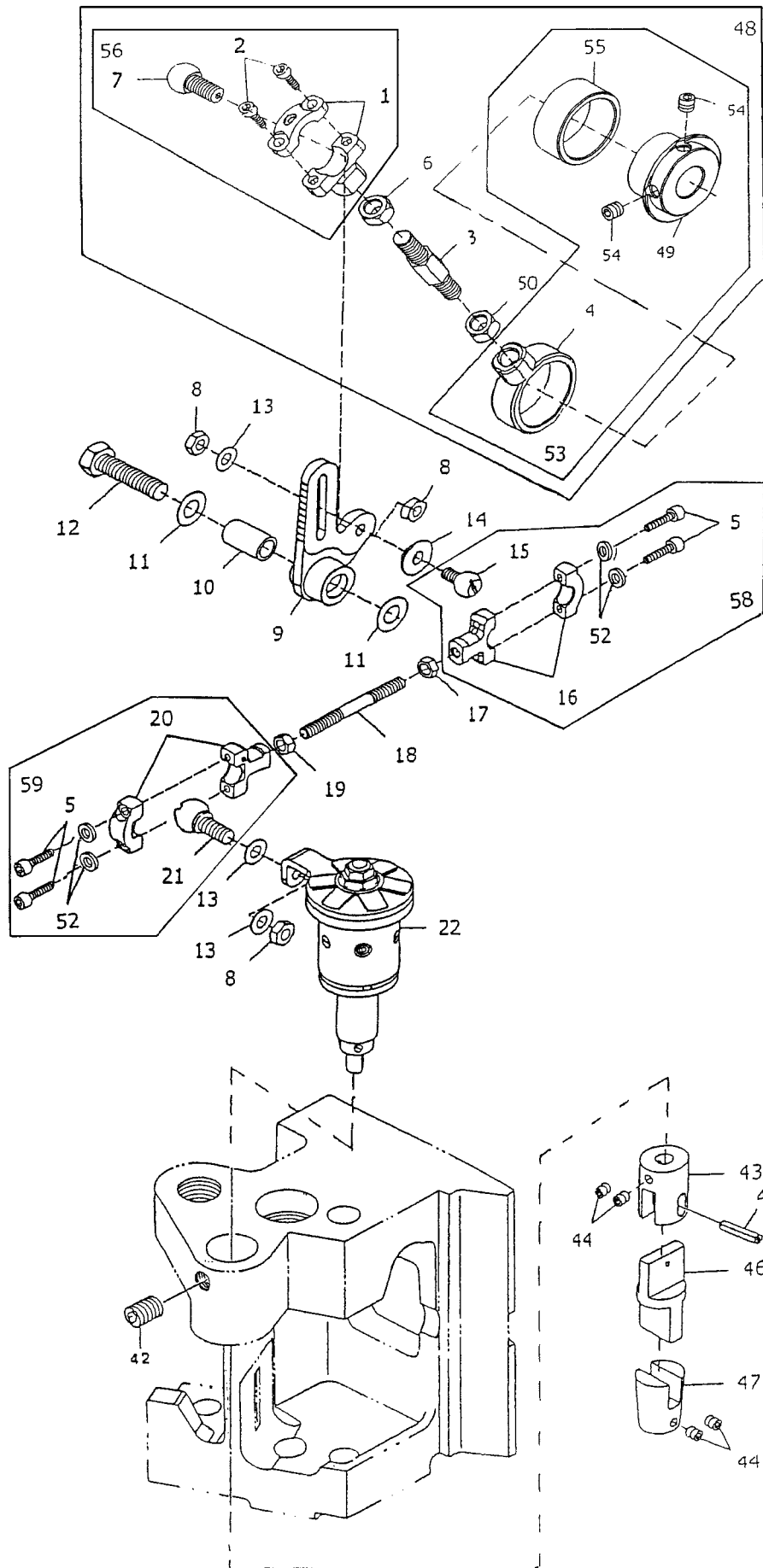
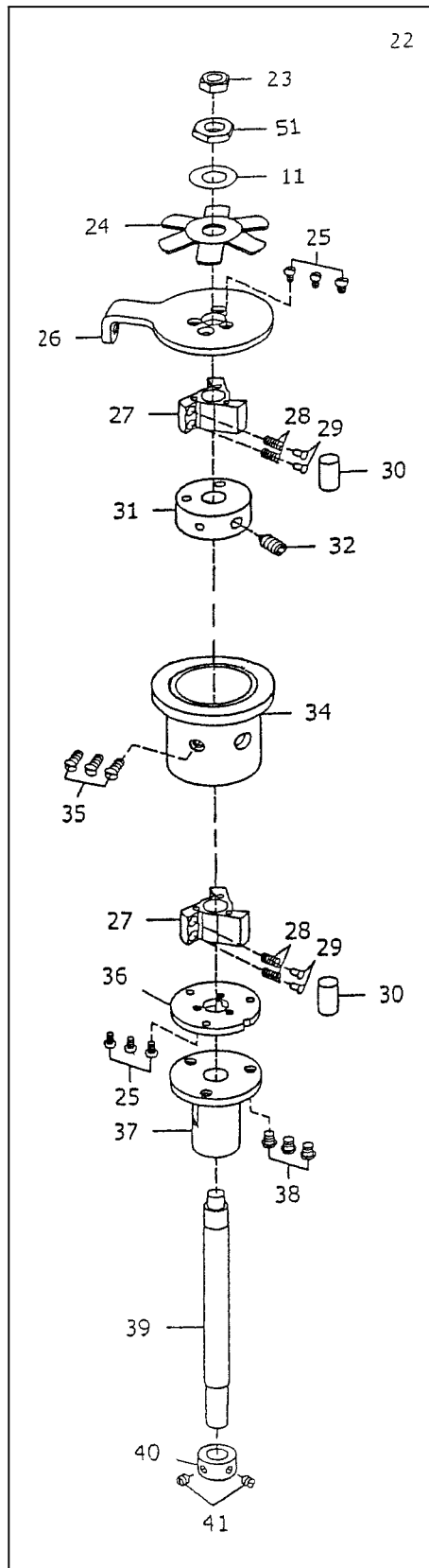
Ref.	Parts			Amt.
<u>No.</u>	<u>No.</u>	<u>Description</u>	<u>品 名</u>	<u>Req.</u>
1	07410701	Adjusting Screw.....	調節螺絲.....	1
2	07410702	Feed Roller Pressing Bar Connction.....	後托輪推桿連結.....	1
3	07410703	Feed Roller Pressing Spring.....	後托輪彈簧.....	1
4	07410704	Screw (3/16-28X10).....	螺絲.....	2
5	07410705	Block, support, rear guide.....	後托輪推桿連結墊塊.....	1
6	07410706	Screw (3/16-28X14).....	螺絲.....	2
7	07410707	Plate, guide, roller bar.....	後托輪推桿連結固定夾板	2
8	07410708	Screw (0.146-40X10).....	螺絲.....	4
9	07410709	Feed Roller Connecting Link.....	後托輪連結扣環.....	1
10	07410710	Screw (0.182-40).....	螺絲.....	2
11	07410711	Feed Roller Pressing Bar.....	後托輪推桿.....	1
12	07410712	Feed Roller Bracket.....	後托輪架.....	1
13	07410713	Screw (0.214-32X5.5).....	螺絲.....	1
14	07410714	Collar.....	軸環.....	1
15	07410715	Screw (0.182-40X4).....	螺絲.....	2
16	07410716	Feed Roller Drive Gear.....	送料器驅動齒輪軸.....	1
17	07410717	Feed Roller Driven Gear.....	送料器驅動齒輪.....	1
18	07410718	Woodruff Key.....	半圓鍵.....	1
19	07410719	Needle Bearing.....	滾針軸承.....	2
20	07410720	Feed Roller.....	後托輪.....	1
21	07410721	Air Blower Tube.....	吹氣管.....	1
22	07410722	Feed Roller Shaft.....	後托輪軸心.....	1
23	07410723	Gear Cover (Rear).....	托輪蓋(後).....	1
24	07410724	Screw (0.088-64X4.5).....	螺絲.....	4
25	07410725	Screw (0.124-50X6).....	螺絲.....	1
26	07410726	Gear Cover (Front).....	托輪蓋(前).....	1
27	07410727	Feed Roller Bracket Bushing.....	後托輪架襯套.....	1
28	07410728	Screw (0.182-40X4).....	螺絲.....	1



FEED ROLLER MECHANISM(2)進料器滾輪機構(2)

8

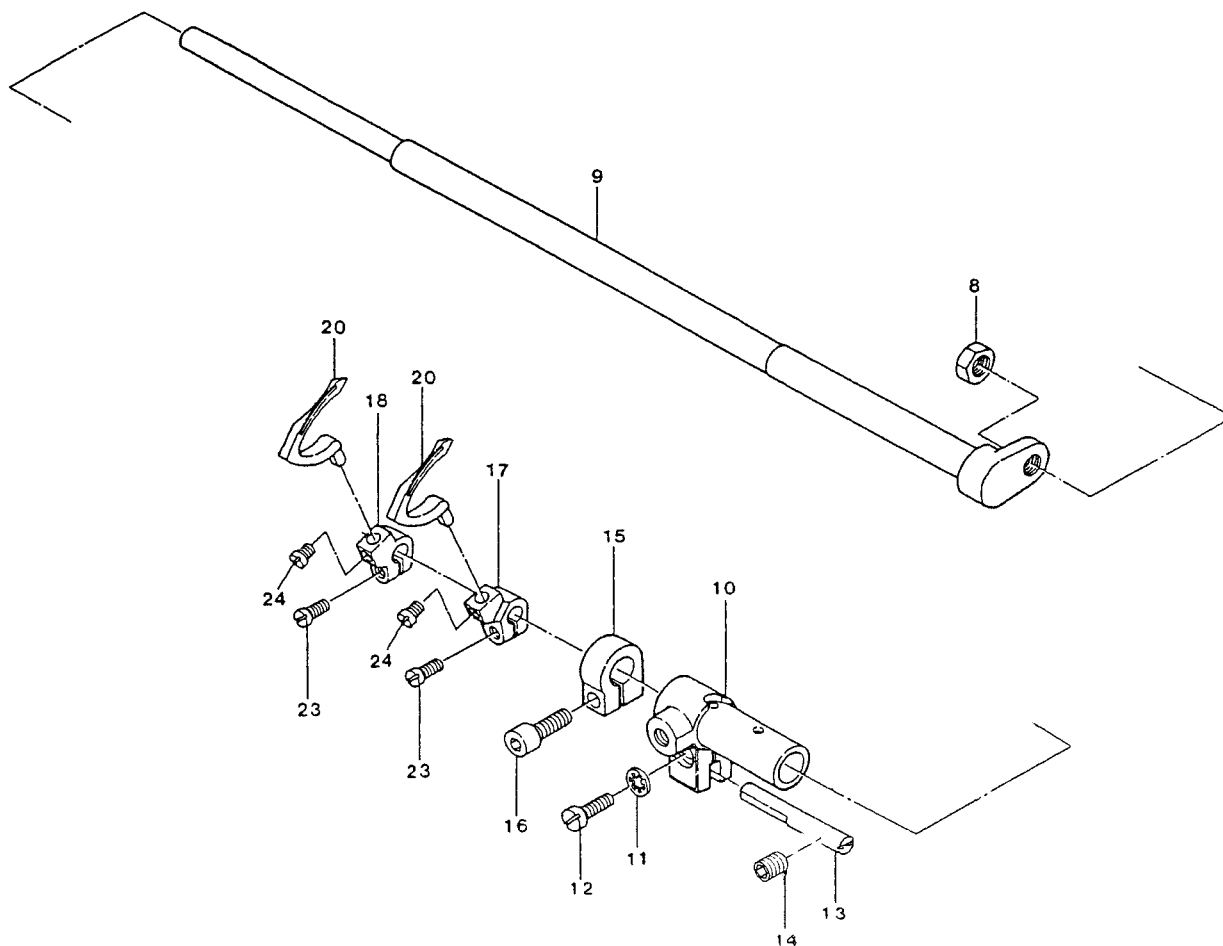
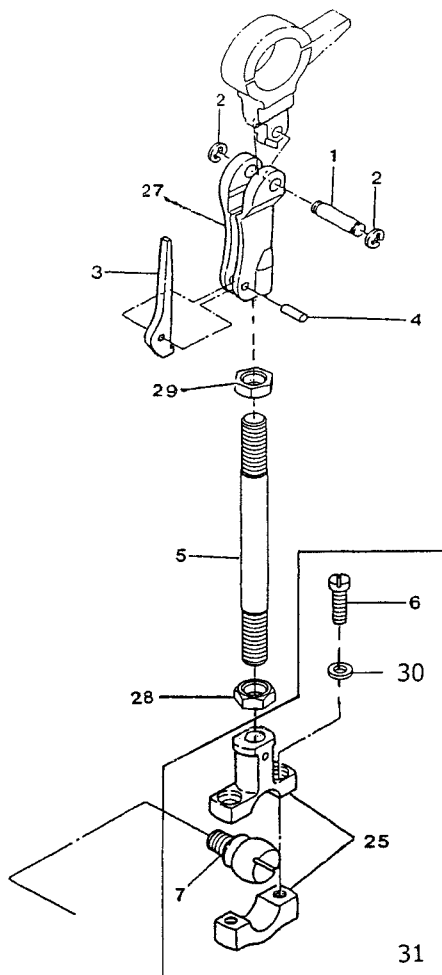
Ref.	Parts			Amt.
<u>No.</u>	<u>No.</u>	<u>Description</u>	<u>品 名</u>	<u>Req.</u>
1	07410801	Clutch Connecting Rod (Upper).....	離合器驅動連桿(上).....	1
2	07410802	Screw (11/64-40X7).....	螺絲.....	2
3	07410803	Connection Bar.....	驅動連結桿.....	1
4	07410804	Clutch Driving Lever Rod (Lower).....	離合器驅動連桿(下).....	1
5	07410805	Screw (9/64-40X12).....	螺絲.....	4
6	07410806	Nut (Left-handed Screw).....	螺帽(左旋).....	1
7	07410807	Connection Ball.....	驅動連桿球.....	1
8	07410808	Nut	螺帽.....	3
9	07410809	Clutch Driving Lever.....	離合器驅動連桿.....	1
10	07410810	Clutch Driving Lever Bushing.....	離合器驅動連桿襯套.....	1
11	07410811	Washer.....	墊片.....	3
12	07410812	Screw (5/16-24X31.5).....	螺絲.....	1
13	07410813	Washer.....	墊片.....	3
14	07400725	Steady Washer.....	穩定墊圈.....	1
15	07410815	Connection Ball.....	驅動連桿球.....	1
16	07410816	Clutch Connecting Rod (Right).....	離合器驅動連桿(右).....	1
17	07400729	Nut (Left-handed Screw).....	螺帽(左旋).....	1
18	07400730	Connection Bar.....	驅動連結桿.....	1
19	07400731	Nut (Right-handed Screw).....	螺帽(右旋).....	1
20	07410820	Clutch Connecting Rod (Left).....	離合器驅動連桿(左).....	1
21	07410821	Connection Ball.....	驅動連桿球.....	1
22	07410822	Clutch, C.Set.....	離合器組.....	1
23	07410823	Nut	螺帽.....	1
24	07410824	Clutch Tension Spring.....	離合器張力壓簧.....	1
25	07410541	Screw (0.110-50X4).....	螺絲.....	6
26	07410826	Clutch Driving Lever.....	離合器驅動拉環.....	1
27	07410827	Clutch.....	離合器.....	2
28	07410828	Clutch Spring.....	離合器彈簧.....	12
29	07410829	Clutch Spring Seat.....	離合器彈簧座.....	12
30	07410830	Clutch Roller.....	離合器軸心.....	6
31	07410831	Clutch Spacer.....	離合器隔片.....	1
32	07410832	Screw (0.214-32X11.3).....	螺絲.....	1
34	07410834	Clutch Sleeve.....	離合器套筒.....	1
35	07410835	Screw (0.146-40X8.5).....	螺絲.....	3
36	07410836	Clutch Check Plate	離合器擋板.....	1
37	07410837	Clutch Shaft Bushing.....	離合器軸心襯套.....	1
38	07410838	Screw (0.146-40X4).....	螺絲.....	3
39	07410839	Clutch Driving Shaft.....	離合器傳動軸.....	1
40	07410840	Collar.....	軸環.....	1



FEED ROLLER MECHANISM(2)進料器滾輪機構(2)

8

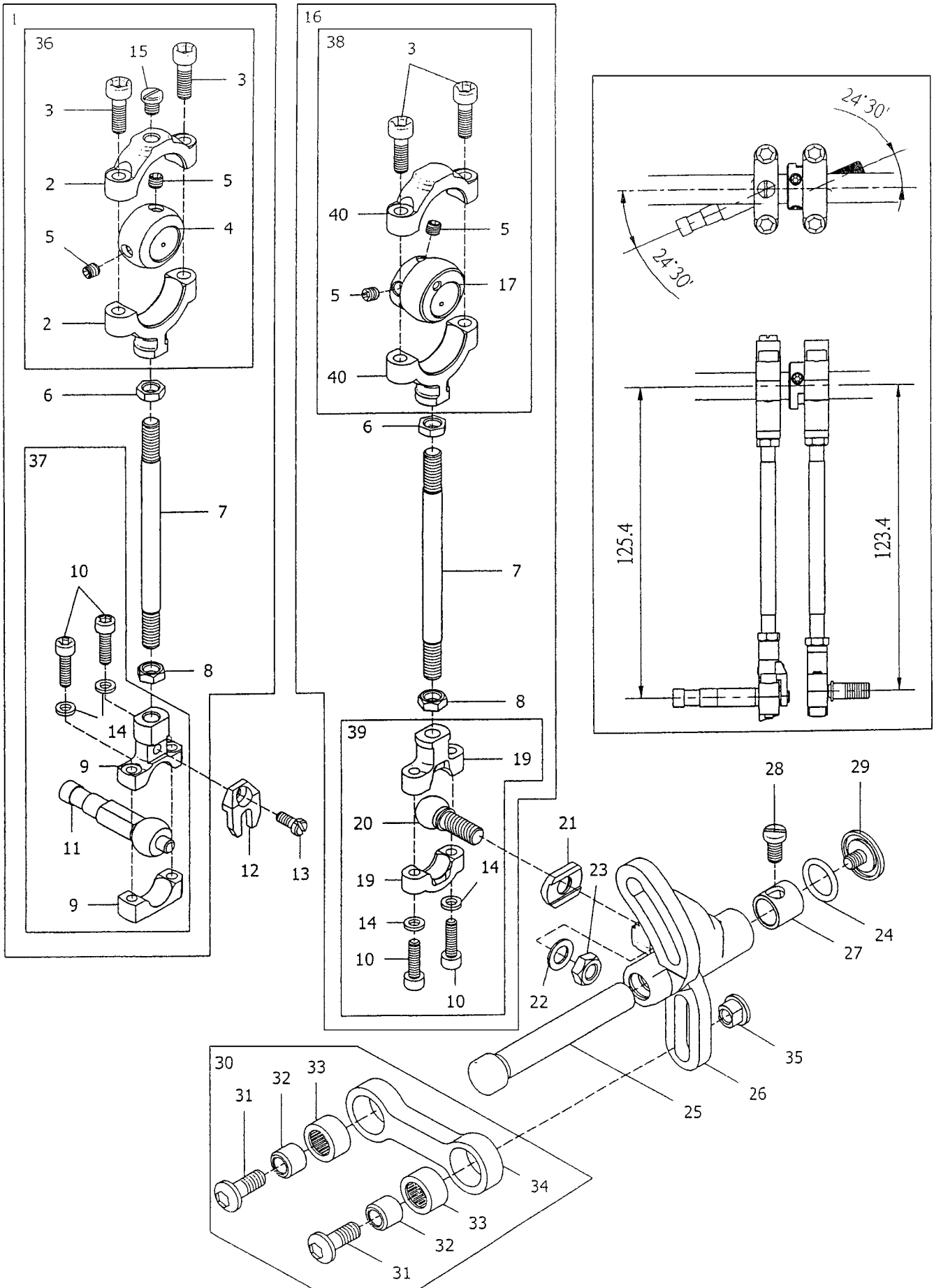
Ref.	Parts			Amt.
<u>No.</u>	<u>No.</u>	<u>Description</u>	<u>品 名</u>	<u>Req.</u>
41	07410841	Screw (0.146-40X3.2).....	螺絲.....	2
42	07410133	Screw (1/4-28X5).....	螺絲.....	1
43	07410843	Connection (Upper).....	接頭(上).....	1
44	07410844	Screw (0.182-40X5).....	螺絲.....	4
45	07410845	Pin.....	插銷.....	1
46	07410846	Connection (Middle).....	接頭(中).....	1
47	07410847	Connection (Lower).....	接頭(下).....	1
48	07410848	Clutch Driving Lever Rod C.Set.....	離合器驅動連桿組.....	1
49	07410849	Eccentric.....	偏心輪.....	1
50	07410850	Nut (Right-handed Screw).....	螺帽(右璇).....	1
51	07410851	Nut	螺帽.....	1
52	07400851	Wash.....	墊片.....	4
53	07410853	Needle Bearing C.Set.....	滾針軸承組.....	1
54	07410854	Screw (7/32-32X5.5).....	螺絲.....	2
55	07410855	Needle Bearing.....	滾針軸承.....	1
56	07410856	Clutch Connecting Rod C.Set (Upper).....	離合器驅動連桿組(上)...	1
58	07410858	Clutch Connecting Rod C.Set (Right).....	離合器驅動連桿組(右)...	1
59	07410859	Clutch Connecting Rod C.Set (Left).....	離合器驅動連桿組(左)...	1



LOOPER DRIVING MECHANISM下勾針驅動機構

9

Ref.	Parts			Amt.
<u>No.</u>	<u>No.</u>	<u>Description</u>	<u>品 名</u>	<u>Req.</u>
1	07410901	Connecting Rod Pin.....	連桿插銷.....	1
2	07410902	Retaining Ring.....	扣環.....	2
3	07410903	Connecting Rod Locking Spring.....	連桿固定彈片.....	1
4	07410904	Pin.....	插銷.....	1
5	07410905	Looper Driving Connecting Rod.....	下勾針驅動連結桿.....	1
6	07410906	Screw (9/64-40X12).....	螺絲.....	2
7	07410907	Looper Lever Driving Rod Ball.....	下勾針驅動連桿球.....	1
8	07400828	Nut	螺帽.....	1
9	07410909	Looper Rocker Shaft.....	下勾針搖桿軸.....	1
10	07400832	Looper Rocker Shaft Sleeve.....	下勾針搖桿軸套筒.....	1
11	07400833	Washer.....	墊片.....	1
12	07400834	Screw (9/64-40X10.8).....	螺絲.....	1
13	07400835	Looper Rocker Shaft Sleeve Guide.....	下勾針搖桿軸套筒導件	1
14	07400836	Screw (3/16-32X8).....	螺絲.....	1
15	07400837	Collar.....	下勾針搖桿軸環.....	1
16	07400838	Screw(11/64-40X13).....	螺絲.....	1
17	07410917	Looper Holder (Front) -AU.....	下勾針固定座(前).....	1
18	07410918	Looper Holder (Middle) -AV	下勾針固定座(後).....	1
20	07420920	Looper.....	下勾針.....	2
23	07410923	Screw (0.146-40X7).....	螺絲(一字頭).....	2
24	07410924	Screw (0.146-40X4.3).....	螺絲(一字頭).....	2
25	07410925	Looper Driving Connection (Lower).....	下勾針驅動連桿(下).....	1
27	07410927	Looper Driving Connection(Upper).....	下勾針驅動連桿(上).....	1
28	07400729	Nut (Left-handed Screw).....	螺帽(左旋).....	1
29	07400731	Nut (Right-handed Screw).....	螺帽(右旋).....	1
30	07400851	Wash.....	墊片.....	2
31	07410931	Looper Driving Connection C.Set (Lower)...	下勾針驅動連桿組(下)...	1

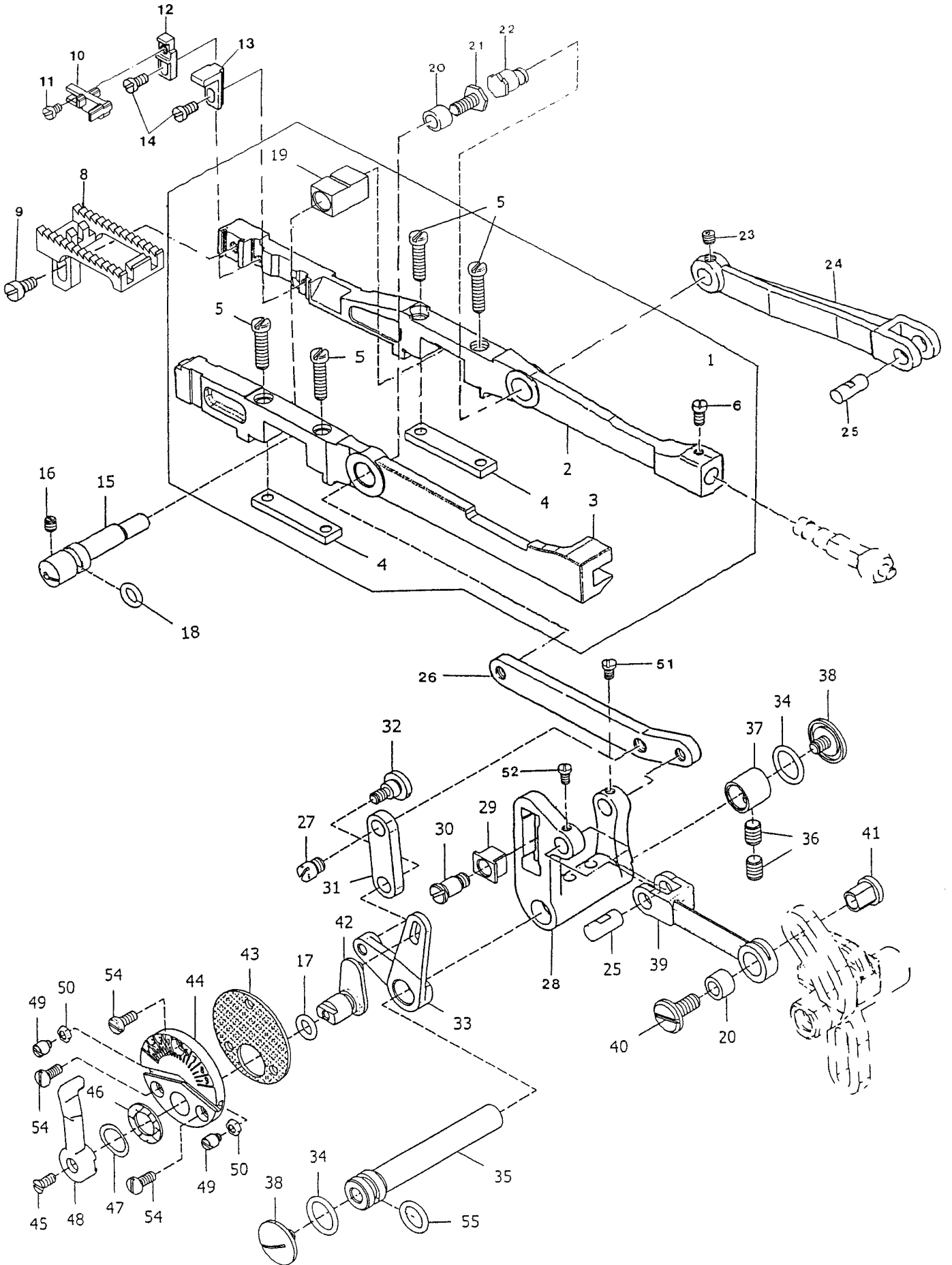


FEED DRIVING MECHANISM

送料具驅動機構

10

Ref.	Parts			Amt.
<u>No.</u>	<u>No.</u>	<u>Description</u>	<u>品 名</u>	<u>Req.</u>
1	07400901	Feed Lift Eccentric C. Set.....	送料具提升偏心輪組.....	1
2	07400902	Feed Lift Connection (Upper).....	送料具提升連桿(上).....	1
3	07400903	Screw (11/64-40X16).....	螺絲.....	4
4	07400904	Feed Lift Eccentric Ball.....	送料具提升偏心輪球.....	1
5	07400225	Screw (11/64-40X4).....	螺絲.....	4
6	07400729	Nut (Left-handed Screw).....	螺絲.....	2
7	07400907	Feed Drive Eccentric Connecting Rod.....	送料具驅動連結桿.....	2
8	07400731	Nut.....	螺帽.....	2
9	07400909	Feed Lift Connection (Lower).....	送料具提升連桿.....	1
10	07400728	Screw (M3.5-0.6X14).....	螺絲.....	4
11	07400911	Feed Lift Connection Ball.....	送料具提升連桿球.....	1
12	07400829	Steady Fork.....	穩定叉.....	1
13	07400830	Screw (M3.5-0.6X8).....	螺絲.....	1
14	07400851	Washer.....	墊片.....	4
15	07400915	Screw (M5-0.8X6).....	螺絲.....	1
16	07400916	Feed Drive Eccentric C. Set.....	送料具驅動偏心輪組.....	1
17	07400917	Feed Drive Eccentric Ball.....	送料具驅動偏心輪球.....	1
19	07400919	Feed Drive Connection(Lower).....	送料具驅動連桿(下).....	1
20	07400920	Feed Drive Connection Ball.....	送料具驅動連桿球.....	1
21	07400921	Steady Washer.....	穩定墊片.....	1
22	07400128	Washer.....	墊片.....	1
23	07400828	Nut.....	螺帽.....	1
24	07400924	O-ring.....	O型橡膠環.....	1
25	07400925	Feed Drive Shaft.....	送料具驅動軸.....	1
26	07400926	Feed Drive/Looper Avoid Lever.....	勾齒台座.....	1
27	07400927	Feed Drive Shaft Bushing.....	送料具驅動軸套筒.....	1
28	07400928	Screw (3/16-32X9.1).....	螺絲.....	1
29	07400929	Screw (3/16-32X6).....	螺絲.....	1
30	07400930	Looper Avoid Connecting Rod C. Set.....	下勾針連桿組.....	1
31	07400931	Screw (7/32-32X10).....	螺絲.....	2
32	07400932	Looper Avoid Connecting Rod Bushing... 下勾針連桿襯套.....		2
33	07400933	Needle Bearing.....	軸承.....	2
34	07400934	Looper Avoid Connecting Rod.....	下勾針前後連桿.....	1
35	07400935	Looper Avoid Adjusting Nut.....	調整螺母.....	1
36	07400936	Feed Lift Connection(Upper) C. Set.....	送料具提升連桿(上)組....	1
37	07400937	Feed Lift Connection(Lower) C. Set.....	送料具提升連桿(下)組....	1
38	07400938	Feed Drive Eccentric(Upper) C. Set.....	送料具提升偏心輪(上)組..	1
39	07400939	Feed Drive Eccentric(Lower) C. Set.....	送料具提升偏心輪(下)組..	1
40	07400940	Feed Drive Eccentric(Upper).....	送料具提升偏心輪(上)....	1

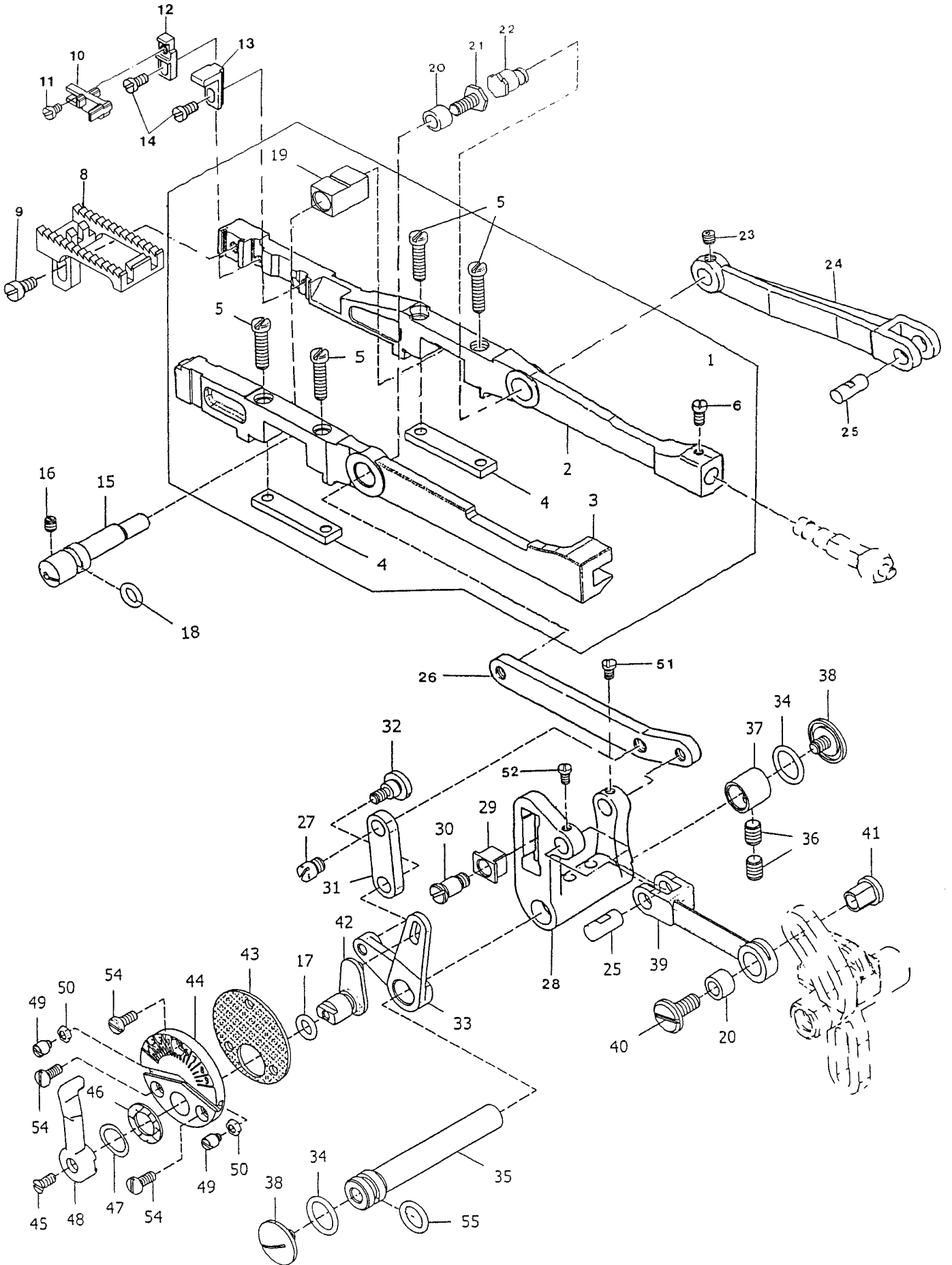


FEED DRIVING CONTROL MECHANISM

送料具驅動機構

11

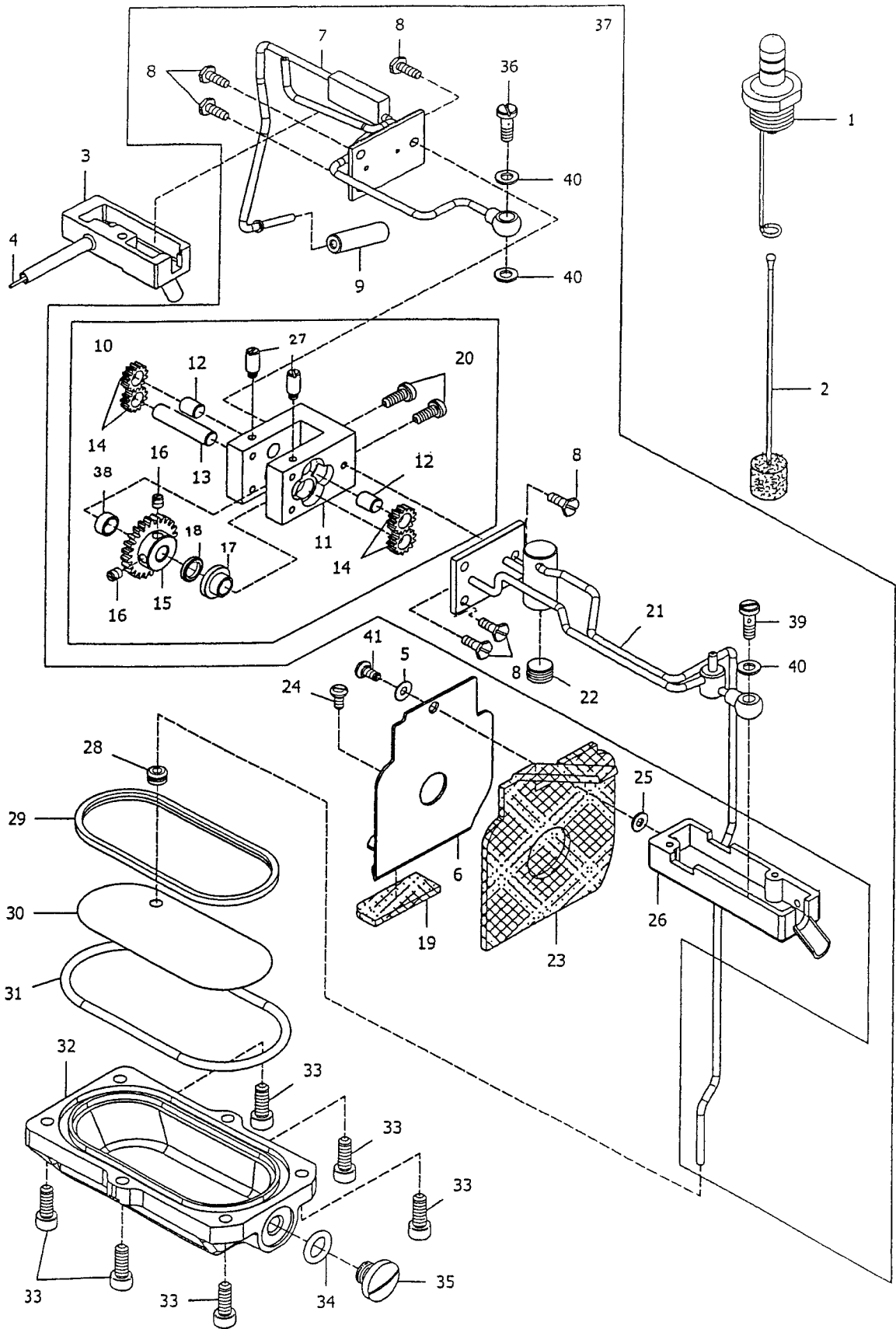
Ref.	Parts			Amt.
<u>No.</u>	<u>No.</u>	<u>Description</u>	<u>品 名</u>	<u>Req.</u>
1	07421101	Feed Bar C. Set.....	送料具固定座組.....	1
2	07421102	Main Feed Bar.....	主送料具固定座.....	1
3	07401003	Differential Feed Bar.....	差動送料具固定座.....	1
4	07401004	Feed Bar Plate.....	送料具固定座片.....	2
5	07401005	Screw (11/64-40X18.7).....	螺絲.....	4
6	07401006	Screw (11/64-40X7).....	螺絲.....	1
8	07421108	Main Feed Dog.....	後送齒.....	1
9	07401120	Screw (11/64-40X7.8).....	螺絲.....	1
10	07421110	Needle Guard(Rear).....	針檔.....	1
11	07400340	Screw (1/8-44X4.3).....	螺絲.....	1
12	07411112	Needle Guard Holder.....	針檔固定座.....	1
13	07411113	Main Feed Dog Stay.....	後送齒支柱.....	1
14	07400366	Screw (1/8-44X5.7).....	螺絲.....	2
15	07401012	Feed Bar Eccentric Pin.....	送料具偏心銷.....	1
16	07400508	Screw (11/64-40X6).....	螺絲.....	1
17	07401014	O-ring.....	O型橡膠環.....	1
18	07401052	O-ring.....	O型橡膠環.....	1
19	07401016	Feed Bar Slide Block.....	送料具滑塊.....	1
20	07401017	Feed Rocker Link Bushing.....	送料具搖桿套筒.....	2
21	07401018	Screw (7/32-32X6.5).....	螺絲.....	1
22	07411122	Main Feed Bar Driving Link Pin.....	主送料具固定座驅動桿插銷..	1
23	07400905	Screw (11/64-40X4).....	螺絲(內六角止付).....	1
24	07411124	Main Feed Bar Driving Link.....	主送料具固定座驅動桿... ..	1
25	07401020	Feed Rocker Link Pin.....	送料具搖桿插銷.....	2
26	07411126	Differential Feed Bar Driving Link.....	差動送料具固定座驅動桿	1
27	07401022	Screw (7/32-32X5).....	螺絲.....	1
28	07411128	Feed Rocker.....	送料具搖桿.....	1
29	07401024	Differential Feed Bar Driving Link Slider..	送料具固定座驅動桿滑塊	1
30	07401025	Screw (7/32-32X4.6).....	螺絲.....	1
31	07401026	Differential Feed Adjusting Link.....	差動送料具調節桿.....	1
32	07401027	Screw (11/64-40X6.6).....	螺絲.....	1
33	07401028	Differential Feed Adjusting Lever.....	差動送料具調節槓桿.....	1
34	07400924	O-ring.....	O型橡膠環.....	2
35	07401030	Feed Rocker Shaft.....	送料具搖桿軸.....	1
36	07400836	Screw (3/16-32X8).....	螺絲.....	2
37	07401032	Feed Rocker Shaft Bushing.....	送料具搖桿軸套筒.....	1
38	07400929	Screw (3/16-32X6).....	螺絲.....	2
39	07401034	Feed Rocker Link.....	送料具搖桿連桿.....	1
40	07401035	Screw (7/32-32X10.5).....	螺絲.....	1



FEED DRIVING CONTROL MECHANISM送料具驅動機構

11

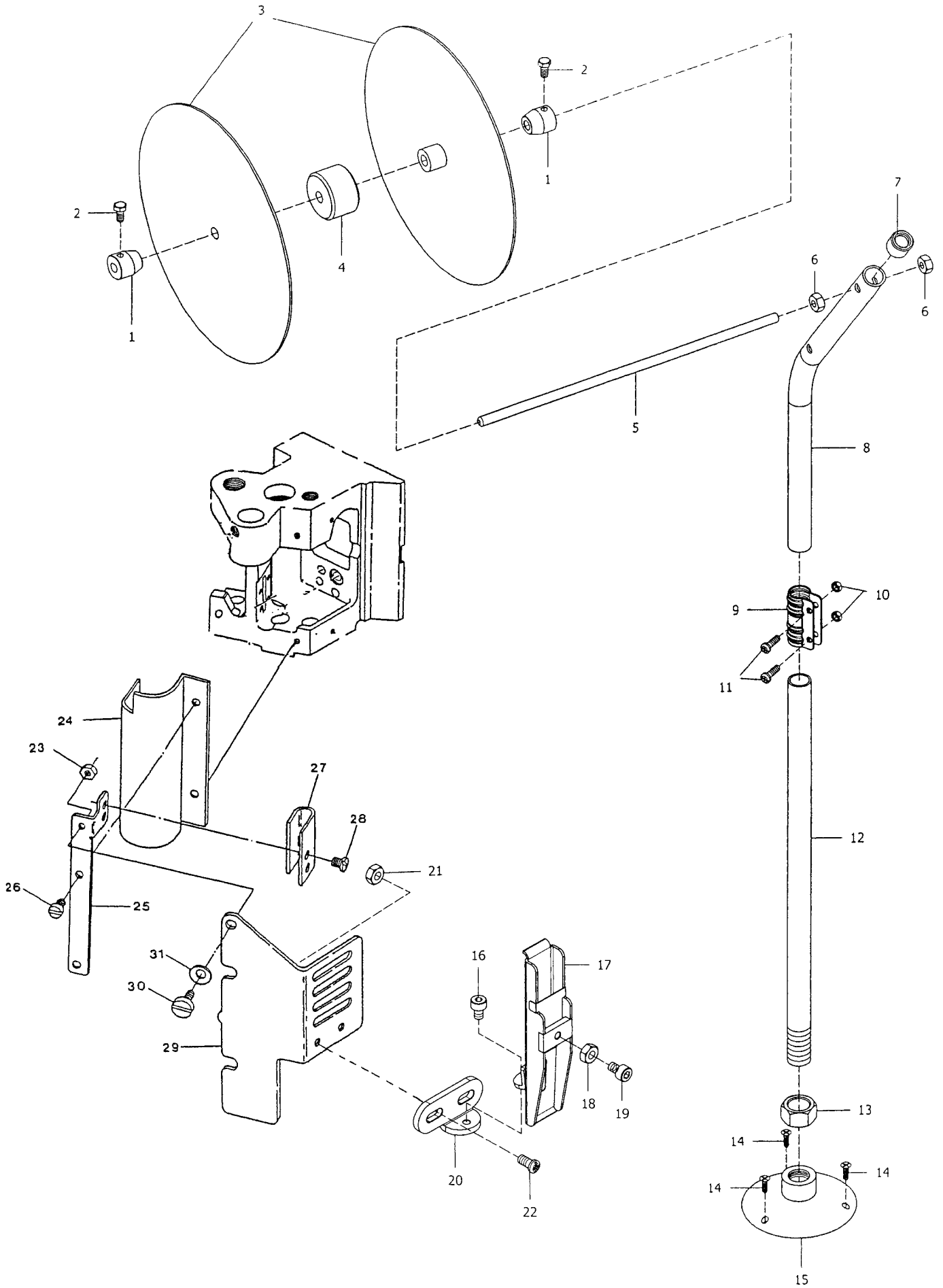
<u>Ref.</u>	<u>Parts</u>			<u>Amt.</u>
<u>No.</u>	<u>No.</u>	<u>Description</u>	<u>品 名</u>	<u>Req.</u>
41	07401036	Feed Adjusting Nut.....	送料具調節螺絲.....	1
42	07401037	Differential Feed Adjusting Lever (Middle)	差動送料具調節槓桿(中).	1
43	07401038	Differential Feed Adjusting Dial Gasket..	差動送料具調節標度盤墊	1
44	07401039	Differential Feed Adjusting Dial.....	差動送料具調節標度盤...	1
45	07400132	Screw (9/64-40X8).....	螺絲.....	1
46	07401041	Spacer (Fiber).....	墊片(纖維).....	1
47	07401042	Corrugated Washer.....	波狀墊片.....	1
48	07401043	Differential Feed Operating Lever.....	差動送料具操作桿.....	1
49	07401044	Screw (M3-0.5X2.6).....	螺絲.....	2
50	07401045	Nut.....	螺帽.....	2
51	07401047	Screw (1/8-44X4.7).....	螺絲.....	1
52	07401046	Screw (1/8-44X5).....	螺絲.....	1
54	07400208	Screw (9/64-40X8).....	螺絲.....	3
55	07401048	O-ring.....	O型橡膠環.....	1



LUBRICATING MECHANISM給油機構

12

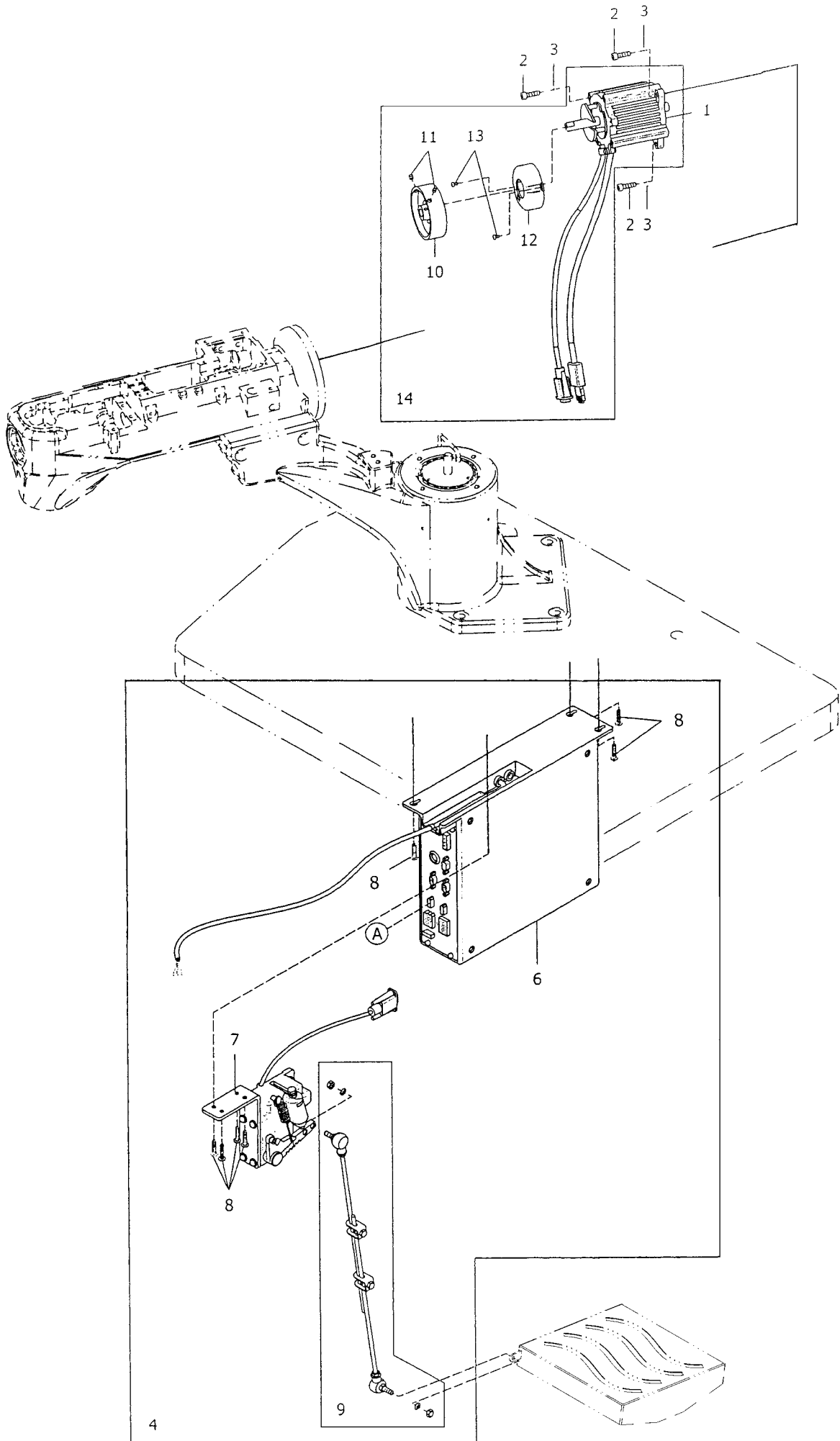
Ref.	Parts			Amt.
No.	No.	Description	品 名	Req.
1	07401101	Crank Chamber Oil Gauge Unit.....	油鏡(後).....	1
2	07401102	Oil Height Indicator.....	油量指示棒.....	1
3	07401103	Oil Receiver (Rear).....	油量接收器(後).....	1
4	07401104	Oil Wick.....	油芯.....	1
5	07400139	Washer.....	墊片.....	1
6	07401106	Take-up Oil Defense Plate.....	打線防油板.....	1
7	07411207	Pump Housing Cover (Rear) Unit.....	廻油管路(後).....	1
8	07401108	Screw (9/64-40X10.3).....	螺絲.....	6
9	07401109	Filter Condenser.....	過濾器.....	1
10	07401110	Pump C. Set.....	油泵組.....	1
11	07401111	Pump Housing.....	油泵殼.....	1
12	07401112	Pump Gear Shaft (Short).....	油泵齒輪(短).....	2
13	07401113	Pump Gear Shaft (Long).....	油泵齒輪(長).....	1
14	07401114	Oil Pump Gear.....	油泵齒輪.....	4
15	07401115	Pump Driven Gear.....	油泵從動齒輪.....	1
16	07401116	Screw (11/64-40X5).....	螺絲.....	2
17	07401143	Bushing(Front).....	套管.....	1
18	07400425	Oil Seal.....	油封.....	1
19	07401119	Thread Take-up Oil Defense Unit.....	打線防油墊片(小).....	1
20	07401120	Screw (11/64-40X10.5).....	螺絲.....	2
21	07411221	Pump Housing Cover (Front) Unit.....	回油管路(前).....	1
22	07401122	Screw (M10-1.5X6.1).....	螺絲.....	1
23	07401123	Thread Take-up Oil Defense Unit.....	打線防油墊片(大).....	1
24	07400111	Screw (9/64-40X5.6).....	螺絲.....	1
25	07401125	Washer.....	墊片.....	1
26	07401126	Oil Receiver (Front).....	油量接收器(前).....	1
27	07401145	Screw (9/64-40X2).....	螺絲.....	2
28	07401128	Rubber Bushing.....	橡膠套筒.....	1
29	07401129	Oil Filter Screen Rubber Seal.....	吸油氈篩橡膠油封.....	1
30	07401130	Oil Filter Screen.....	吸油氈篩.....	1
31	07401131	Oil Reservoir Rubber Seal.....	油槽橡膠油封.....	1
32	07401132	Oil Reservoir.....	油槽.....	1
33	07401133	Screw (M5-0.8X14).....	螺絲.....	6
34	07400124	O-ring.....	O型橡膠環.....	1
35	07400125	Drain Hole Screw (3/8-24X8).....	螺絲.....	1
36	07401136	Screw (3/16-32X8).....	螺絲.....	1
37	07411237	Pump C. Set.....	油泵組.....	1
38	07401144	Bushing(Rear).....	套管.....	1
39	07401139	Screw (3/16-32X8).....	螺絲.....	1
40	07401140	Washer.....	墊片.....	3
41	07400150	Screw (3/16-32X4).....	螺絲.....	1



TAPE REEL貼條組

13

Ref.	Parts			Amt.
<u>No.</u>	<u>No.</u>	<u>Description</u>	<u>品 名</u>	<u>Req.</u>
1	07421301	Collar.....	軸環.....	2
2	07421302	Screw.....	螺絲.....	2
3	07421303	Tape Reel.....	貼條盤.....	2
4	07421304	Cushion Block.....	墊塊.....	1
5	07421305	Tape Reel Shaft.....	貼條主軸.....	1
6	07421306	Nut.....	螺帽.....	2
7	07421307	Rubber Column Cap.....	橡膠柱頭蓋.....	1
8	07421308	Tape Column Pipe.....	貼條圓柱管.....	1
9	07421309	Tape Column Pipe Connector.....	接頭.....	1
10	07421310	Nut.....	螺帽.....	2
11	07421311	Screw.....	螺絲.....	2
12	07421312	Fixing Lever.....	固定螺桿.....	1
13	07421313	Nut.....	螺帽.....	1
14	07421314	Wood Screw.....	木螺絲.....	3
15	07421315	Tape Holder.....	貼條固定座.....	1
16	07421316	Screw(M4-0.7X6).....	螺帽.....	1
17	07421317	Tape Reel C.Set.....	織帶組.....	1
18	07870244	Nut.....	螺帽.....	1
19	07421319	Screw(M4-0.7X10).....	螺絲.....	1
20	07421320	Tape Holder.....	織帶固定座.....	1
21	07421321	Nut.....	螺帽.....	2
22	07421322	Screw (M4-0.7X8).....	螺絲.....	2
23	07410432	Nut.....	螺帽.....	1
24	07410424	Clutch Shaft Connection Cover.....	連結軸護蓋.....	1
25	07410425	Tape Reel C.Set Support.....	織帶組支架.....	1
26	07400150	Screw (9/64-40X7).....	螺絲.....	2
27	07410427	Needle Bar Cover.....	針柱蓋.....	1
28	07410428	Screw (9/64-40X4).....	螺絲.....	2
29	07410429	Tape Reel C.Set Support.....	織帶組支架.....	1
30	07410430	Screw (11/64-40X9.7).....	螺絲.....	1
31	07870429	Conical Spring Washer.....	圓錐彈簧墊片.....	1

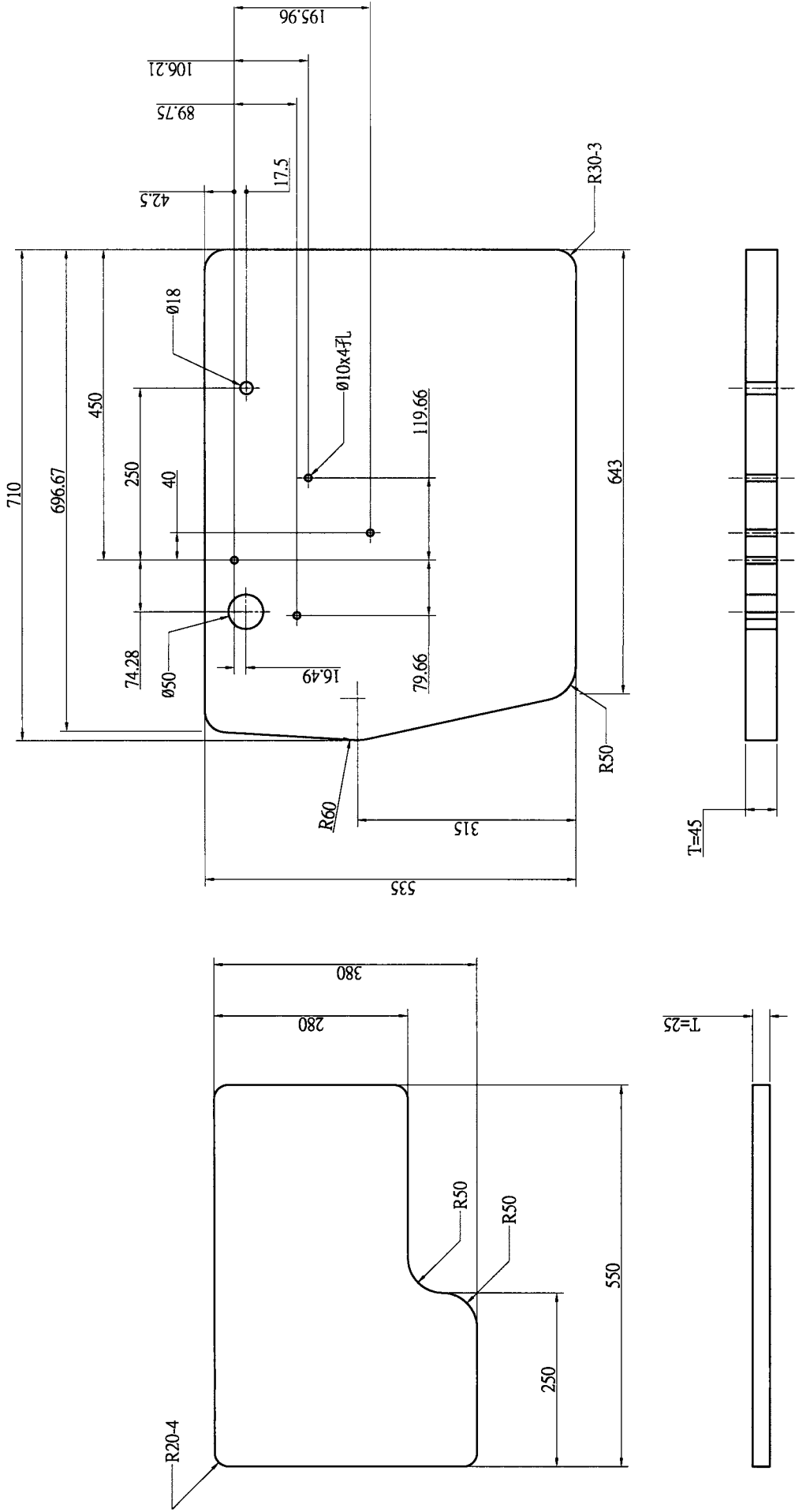


<u>DEIRECTLY DRIVING TYPE MINI-SERVO MOTOR C.SET</u>			<u>伺服馬達機構</u>	14
<u>Ref.</u>	<u>Parts</u>			<u>Amt.</u>
<u>No.</u>	<u>No.</u>	<u>Description</u>	<u>品 名</u>	<u>Req.</u>
1	07401201	Directly Driving Type Mini-Servo Motor.	直驅式微型伺服馬達.....	1
2	07401202	Screw (M6-1X20).....	螺絲.....	3
3	07401203	Washer.....	墊片.....	3
4	07401204	Control Box Set.....	控制箱組.....	1
6	07401206	Control Box.....	控制箱.....	1
7	07401207	Starter.....	起動器.....	1
8	07401208	Wood Screw.....	木螺絲.....	7
9	07401209	Pitman.....	腳踏板連接桿.....	1
10	07401210	Handwheel.....	手推輪.....	1
11	07401211	Screw(M5-0.8X6).....	螺絲.....	2
12	07401212	Motor Cover.....	馬達護蓋.....	1
13	07401213	Screw(M4-0.7X4).....	螺絲.....	2
14	07401214	Mini-Servo Motor C.Set.....	微型馬達組.....	1

技術通報

〈星銳牌・FW-740TD系列・平面式桌板尺寸圖〉

2010年04月17日 版本
單位 = mm



桌板(一)

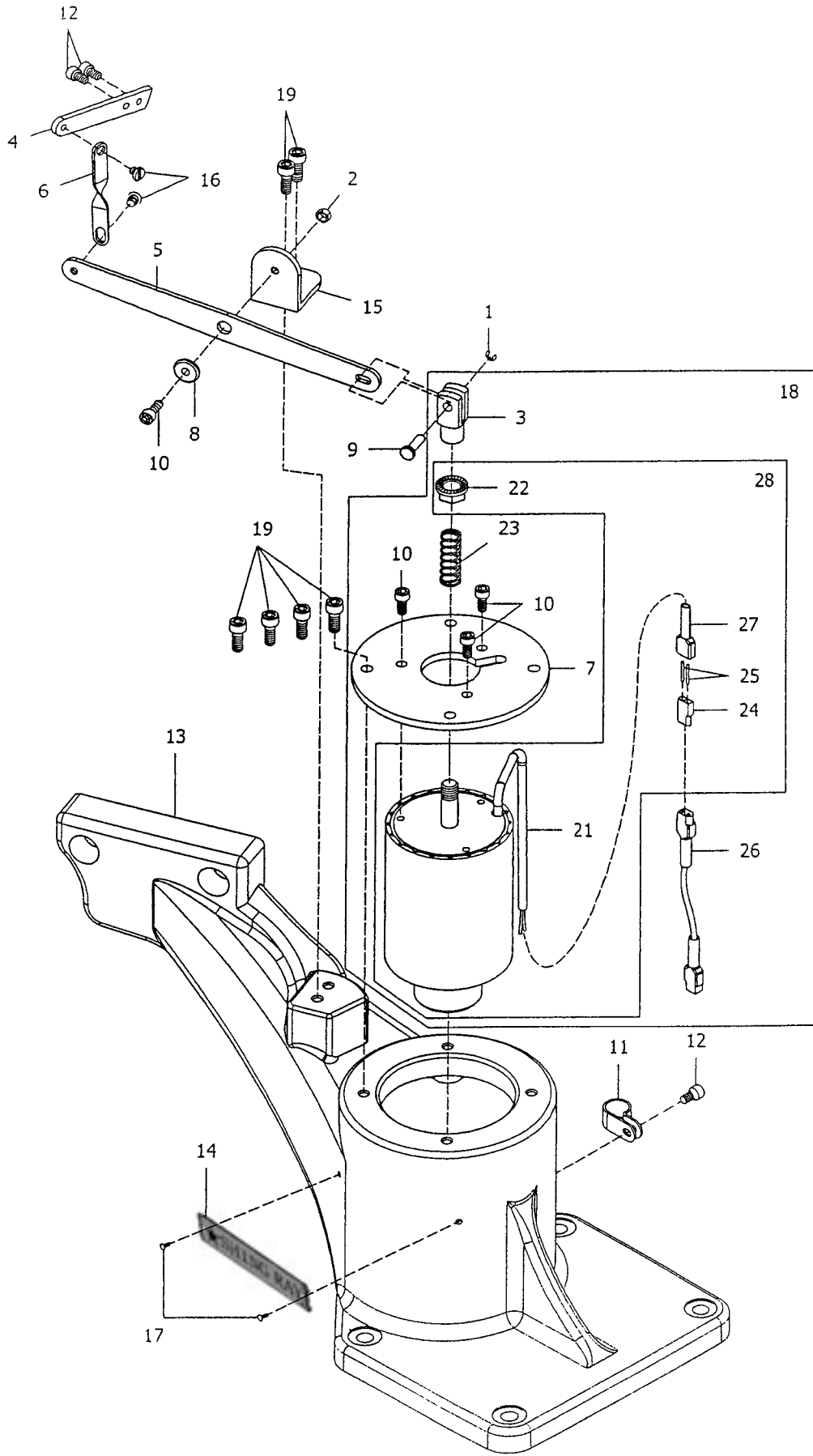
桌板(二)

TABLE

桌板圖

15

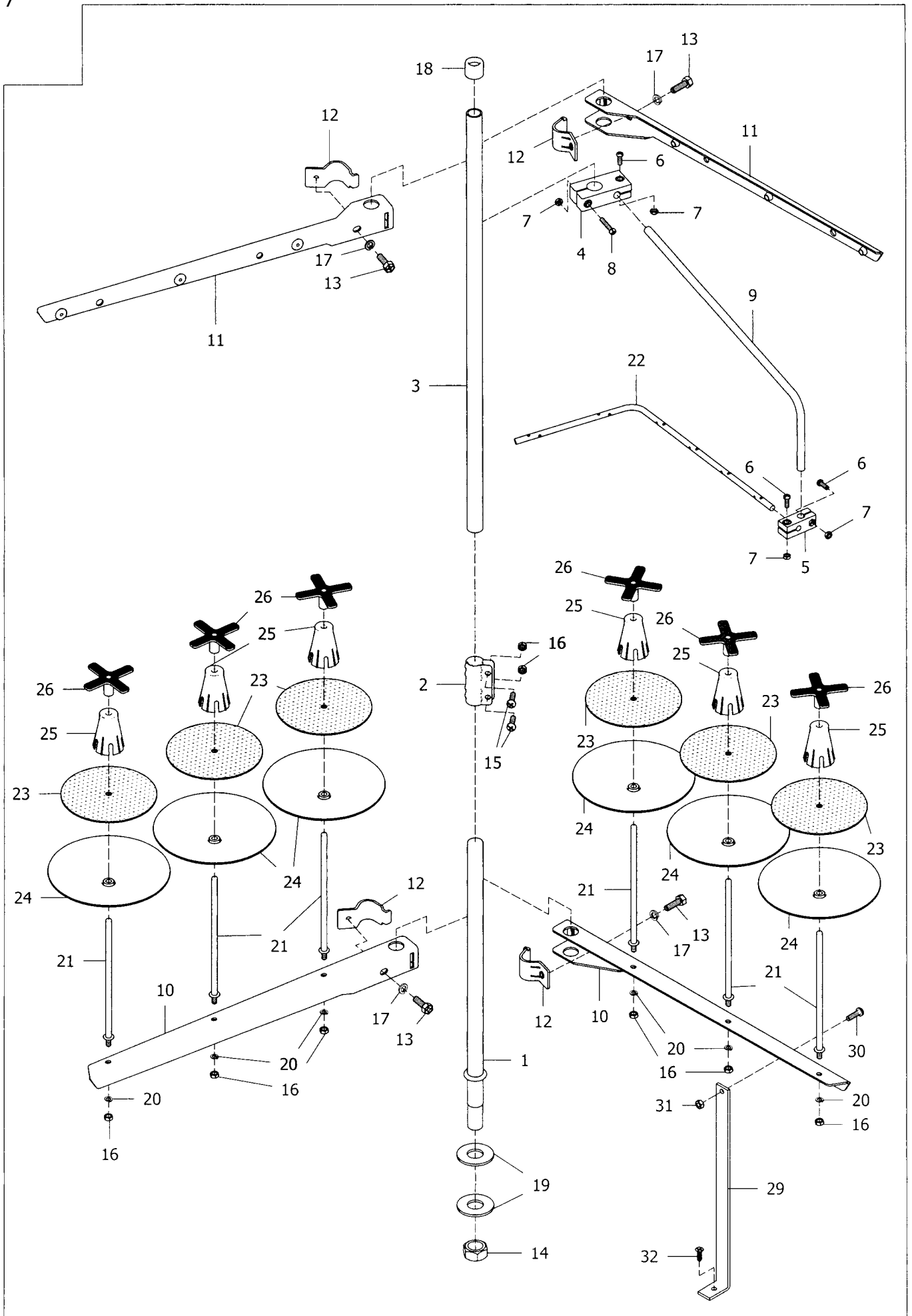
<u>Ref.</u>	<u>Parts</u>			<u>Amt.</u>
<u>No.</u>	<u>No.</u>	<u>Description</u>	<u>品 名</u>	<u>Req.</u>
1	07421501	FW740TD Table (I).....	FW740TD桌板(一).....	1
2	07421502	FW740TD Table (II).....	FW740TD桌板(二).....	1



SUPPORTING BLOCK MECHANISM車台固定座機構

16

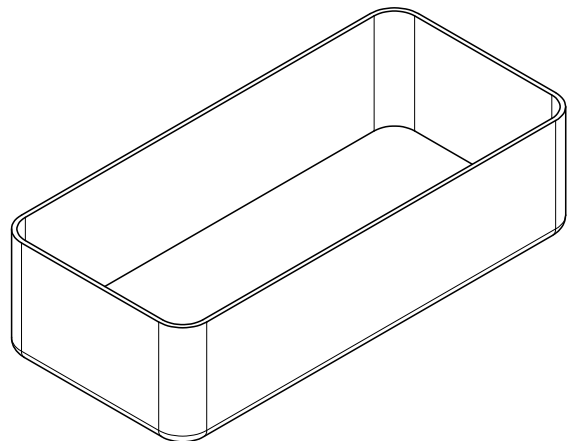
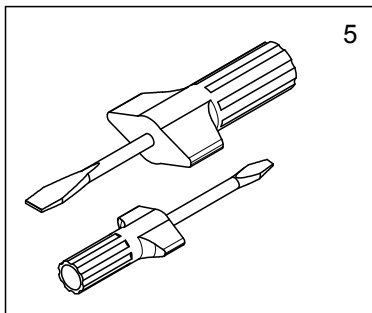
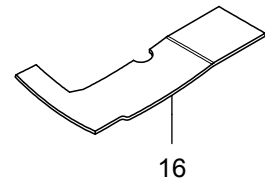
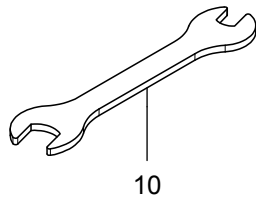
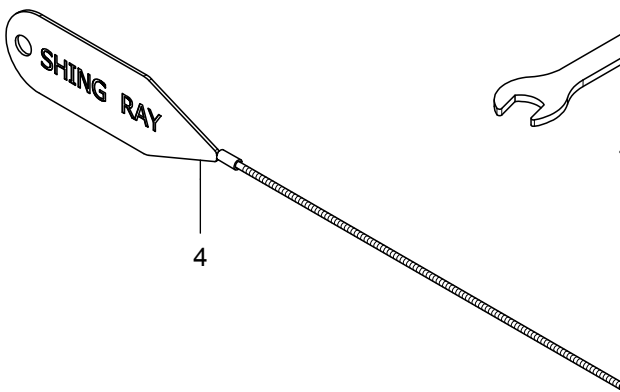
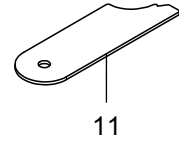
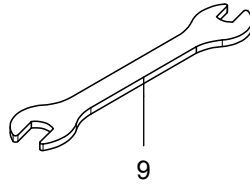
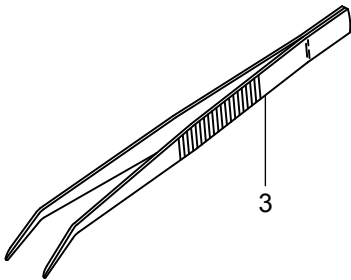
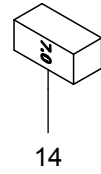
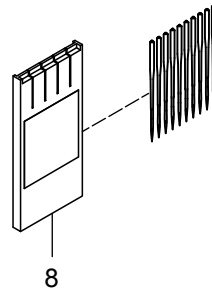
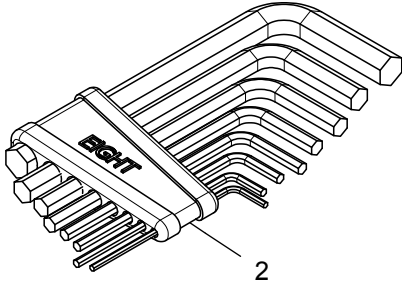
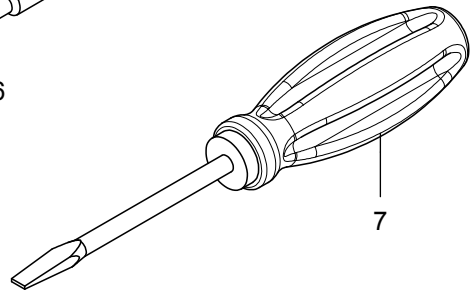
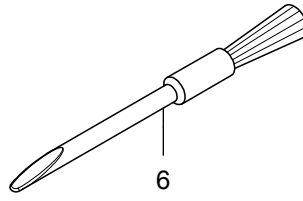
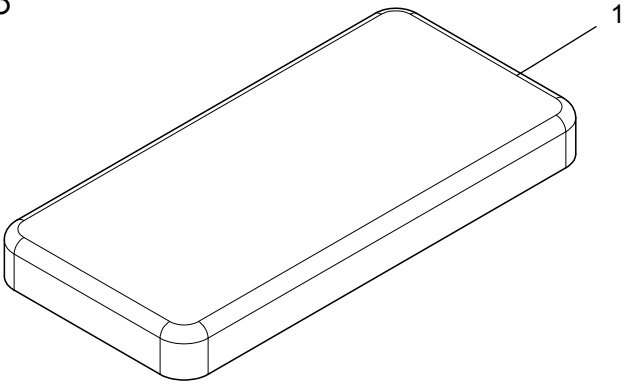
Ref.	Parts			Amt.
<u>No.</u>	<u>No.</u>	<u>Description</u>	<u>品 名</u>	<u>Req.</u>
1	07401401	Retaining Ring.....	扣環.....	1
2	07401402	Nut.....	螺帽.....	1
3	07401403	Presser Foot Lifter Connector.....	擡押腳接頭.....	1
4	07401404	Presser Foot Lifter Connecting Lever(S)..	擡押腳連接片(小).....	1
5	07401405	Presser Foot Lifter Connecting Lever(L)..	擡押腳連接片(大).....	1
6	07401406	Presser Foot Lifter Switch Lever.....	擡押腳轉接片.....	1
7	07401407	Fix Solenoid Plate.....	電磁鐵固定套.....	1
8	07401408	Center Sleeve.....	中心襯套.....	1
9	07401409	Fix Pin.....	轉接頭插銷.....	1
10	07401410	Screw(M5-0.8X14).....	螺絲(鍍鉻).....	4
11	07401411	Pin.....	固線鈕.....	1
12	07401412	Screw(M5-0.8X10).....	螺絲.....	3
13	07401413	Supporting Block.....	車台固定座.....	1
14	07400151	Emblem.....	銘牌.....	1
15	07401415	Center Bracket.....	中心座.....	1
16	07401416	Screw(3/16-32X3.5).....	螺絲.....	2
17	07400164	Rivet.....	鉚釘.....	2
18	07401418	Solenoid C.Set.....	電磁鐵組.....	1
19	07401419	Screw(M6-1X16).....	螺絲.....	6
21	07401421	Solenoid.....	電磁鐵.....	1
22	07401422	Nut.....	電磁鐵螺母.....	1
23	07401423	Spring.....	定位緩衝壓簧.....	1
24	07401424	Joint.....	端子座.....	1
25	07401425	Terminal.....	端子.....	1
26	07401426	Relay Line.....	擡押腳中繼線.....	1
27	07401427	Rubber Cover.....	膠套.....	1
28	07401428	Solenoid C.Set.....	電磁鐵組.....	1



THREAD STAND線架組

17

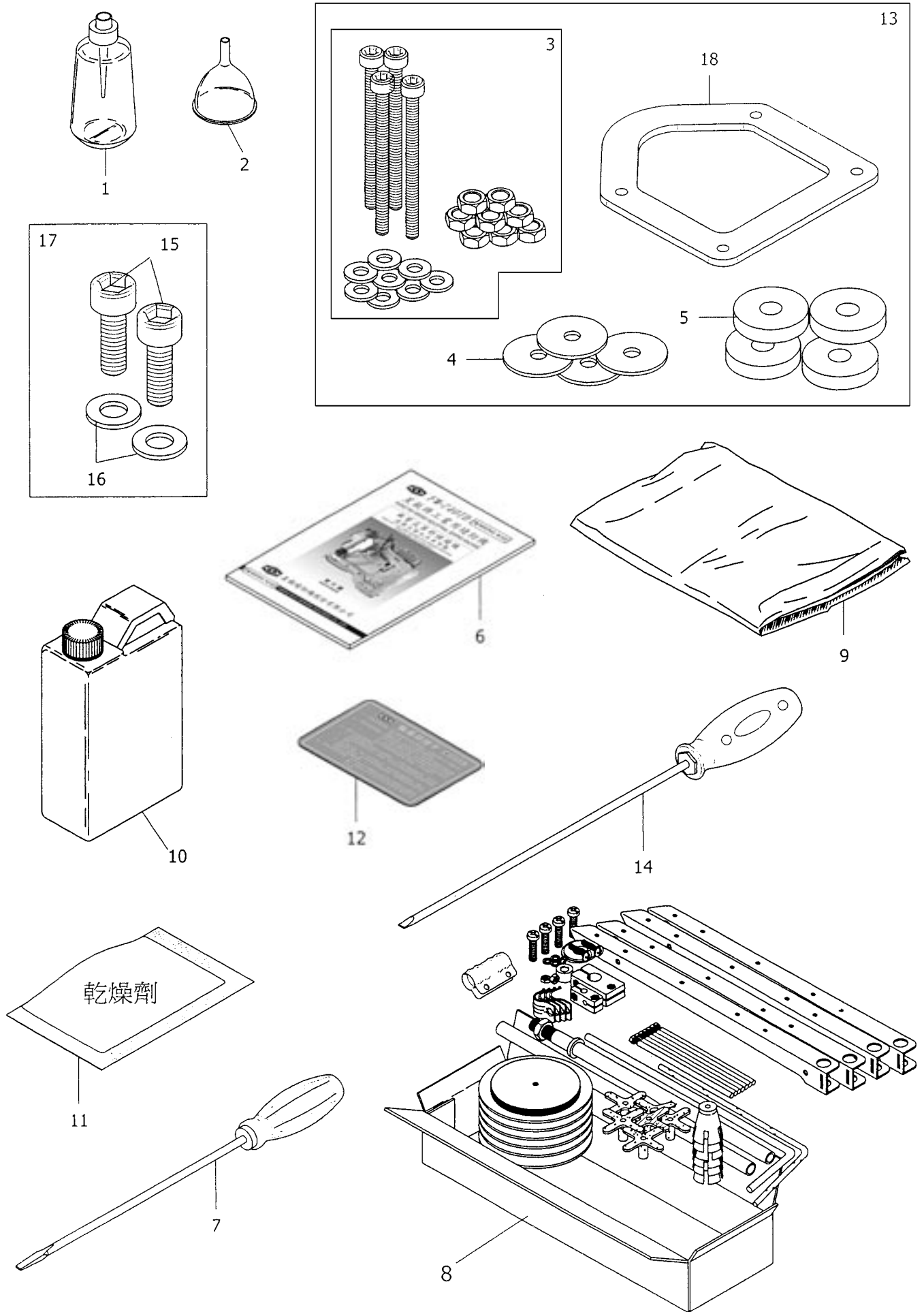
Ref.	Parts			Amt.
<u>No.</u>	<u>No.</u>	<u>Description</u>	<u>品 名</u>	<u>Req.</u>
1	07401701	Column Pipe (Lower).....	下線柱.....	1
2	07401702	Column Pipe Connector.....	線柱接頭.....	1
3	07401703	Column Pipe(Upper).....	上線柱.....	1
4	07401704	Thread Guide Holder (Large).....	大過線桿固定座.....	1
5	07401705	Thread Guide Holder (Small).....	小過線桿固定座.....	1
6	07401706	Screw (M4-0.7X11.9).....	螺絲.....	3
7	07401707	Nut.....	螺帽.....	4
8	07401708	Screw (M4-0.7X24.6).....	螺絲.....	1
9	07401709	Thread Guide Arm.....	過線桿連接臂.....	1
10	07401710	Spool Stand (3 Spool Type).....	3孔線軸架.....	2
11	07401711	Thread Hanger (3 Spools Type).....	3孔過線吊臂.....	2
12	07401712	Column Pipe Connector.....	線柱接頭.....	4
13	07401713	Screw (M6-1X16.8).....	螺絲.....	4
14	07401714	Nut.....	螺帽.....	1
15	07401715	Screw (M5-0.8X16.8).....	螺絲.....	2
16	07401716	Nut.....	螺帽.....	8
17	07401717	Spring Washer.....	彈簧墊片.....	4
18	07401718	Column Cap.....	柱頭蓋.....	1
19	07401719	Washer.....	墊片.....	2
20	07401720	Spring Washer.....	彈簧墊片.....	6
21	07401721	Spool Pin.....	線軸柱.....	6
22	07401722	Thread Guide (6 Spool Type).....	6孔過線桿.....	1
23	07401723	Spool Mat.....	線軸墊.....	6
24	07401724	Spool Seat Disc.....	線軸底盤.....	6
25	07401725	Spool Cushion.....	線軸避震座.....	6
26	07401726	Rubber Spool Cushion.....	橡膠線軸避震座.....	6
28	07401728	Thread Stand.....	線架.....	1
29	07421729	Crutch.....	支架.....	1
30	07421730	Screw (M5-0.8X17).....	螺絲.....	1
31	07421731	Nut.....	螺帽.....	1
32	07421732	Wood Screw.....	木螺絲.....	1



ATTACHMENT BOX附件盒

18

<u>Ref.</u>	<u>Parts</u>			<u>Amt.</u>
<u>No.</u>	<u>No.</u>	<u>Description</u>	<u>品 名</u>	<u>Req.</u>
1	07401901	Attachment Box.....	附件盒.....	1
2	07401902	Hexagonal Wrench C. Set.....	內六角板手組.....	1
3	07401903	Thread Tweezers.....	穿線夾.....	1
4	07411804	Threading Wire.....	穿線鐵絲.....	1
5	07401905	Screwdriver C. Set.....	螺絲起子組.....	1
6	07401906	Hairbrush.....	毛刷.....	1
7	07401907	Screwdriver.....	螺絲起子.....	1
8	07420540	Needle (UY128 #18)	擊針.....	10
9	07411809	Wrench (7mmX3/8").....	板手.....	1
10	07411810	Wrench (8mmX1/2").....	板手.....	1
11	07421811	Looper Gauge.....	勾針前後調節板手.....	1
14	07421814	Needle Height Gauge.....	針棒高度調節器.....	1
16	07421816	Looper Gauges.....	下勾針平行定規.....	1



ACCESSORIES附件箱

19

Ref.	Parts			Amt.
<u>No.</u>	<u>No.</u>	<u>Description</u>	<u>品 名</u>	<u>Req.</u>
1	07402001	Oiler.....	油壺.....	1
2	07402002	Funnel.....	漏斗.....	1
3	07402003	Screw C. Set.....	螺絲組.....	1
4	07402004	Washer.....	墊片.....	4
5	07402005	Rubber Cushion.....	避震膠墊.....	4
6	07421906	Spare Parts Book.....	零件圖.....	1
7	07402007	Screwdriver.....	螺絲起子.....	1
8	07402008	Thread Stand C. Set	線架組.....	1
9	07402009	Machine Cover.....	防塵罩.....	1
10	07402010	Oil.....	潤滑油.....	1
11	07402011	Drier.....	乾燥劑.....	1
12	07421912	Products Guarantee.....	服務保證卡.....	1
13	07402019	Supporting Block Rubber Cushion Set....	車台固定座避震膠墊螺絲組	1
14	07402014	Screwdriver.....	螺絲起子.....	1
15	07402015	Screw(3/8-24X32).....	螺絲.....	2
16	07402016	Washer.....	墊片.....	2
17	07402017	Screw C. Set.....	螺絲組.....	1
18	07402018	Supporting Block Rubber Cushion.....	車台固定座避震膠墊.....	1